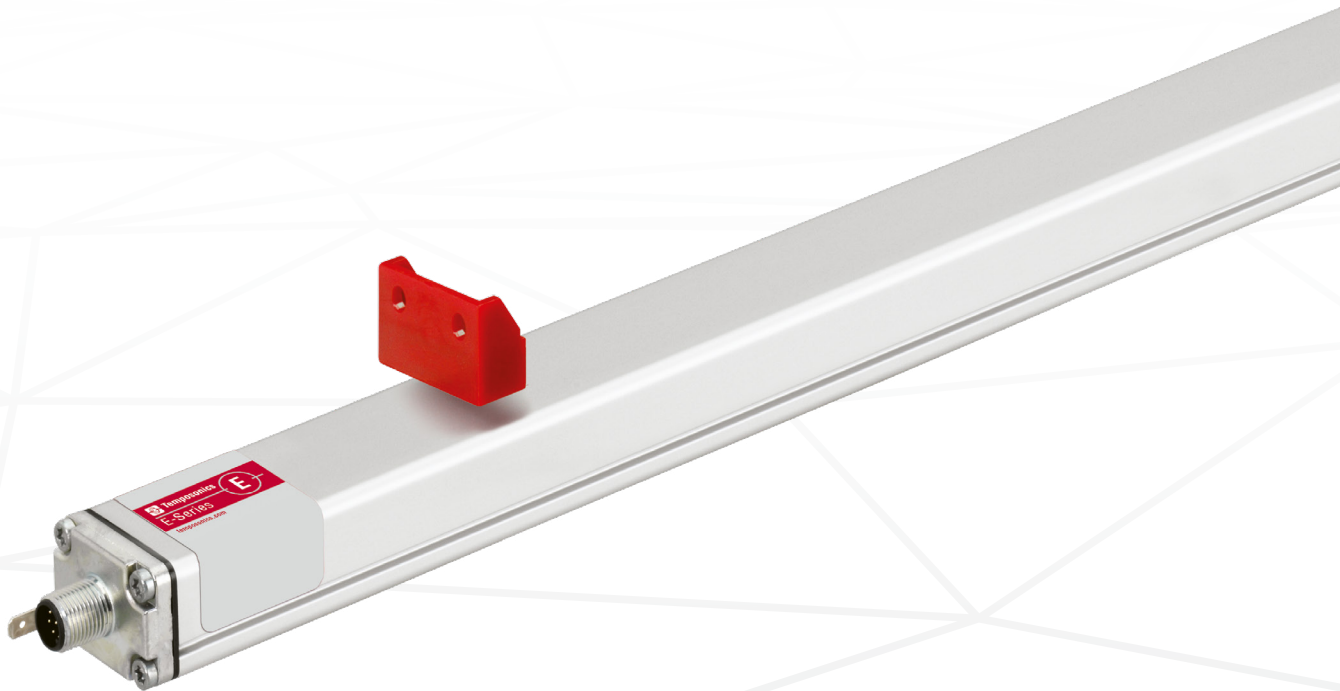


Data Sheet

EP2 Analog

Magnetostrictive Linear Position Sensors

- Optimal price-/performance ratio
- Position measurement with more than one magnet
- Flat & compact



Sold & Serviced By:

 **ELECTROMATE**

Toll Free Phone (877) SERV098
www.electromate.com
sales@electromate.com

MEASURING TECHNOLOGY

The absolute, linear position sensors provided by Temposonics rely on the company's proprietary magnetostrictive technology, which can determine position with a high level of precision and robustness. Each Temposonics position sensor consists of a ferromagnetic waveguide, a position magnet, a strain pulse converter and supporting electronics. The magnet, connected to the object in motion in the application, generates a magnetic field at its location on the waveguide. A short current pulse is applied to the waveguide. This creates a momentary radial magnetic field and torsional strain on the waveguide. The momentary interaction of the magnetic fields releases a torsional strain pulse that propagates the length of the waveguide. When the ultrasonic wave reaches the end of the waveguide it is converted into an electrical signal. Since the speed of the ultrasonic wave in the waveguide is precisely known, the time required to receive the return signal can be converted into a linear position measurement with both high accuracy and repeatability.

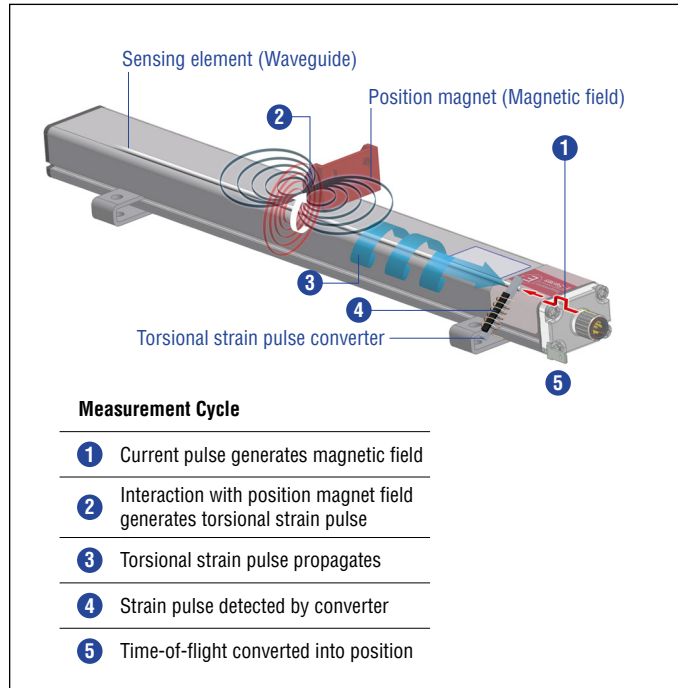


Fig. 1: Time-of-flight based magnetostrictive position sensing principle

EP2 SENSOR

Robust, non-contact and wear free, the Temposonics® linear position sensor provide high durability and precise position measurement feedback in harsh industrial environments. Measurement accuracy is tightly controlled by the quality of the waveguide manufactured exclusively by Temposonics.

The compact and flat aluminum profile offers flexible mounting options and easy installation. Moreover, the position magnet can travel along the entire flat housing profile. The EP2 has an attractive price-/performance ratio and is ideal for industrial applications including plastics molding and processing, factory automation and packaging.



Fig. 2: Plastic granulate for injection molding or extrusion

Sold & Serviced By:


 **ELECTROMATE**

Toll Free Phone (877) SERV098

www.electromate.com

sales@electromate.com

TECHNICAL DATA

Output	
Voltage	0...10 VDC or 10...0 VDC, 0...10 VDC and 10...0 VDC (controller input resistance R_L : > 5 k Ω)
Current	4...20 mA or 20...4 mA (minimum/maximum load: 0/500 Ω)
Measured value	Position, option: Multi-position measurement with a maximum of 2 magnets
Measurement parameters	
Resolution	Infinite
Cycle time	Typ. 0.3 ms < t < 2 ms (depending on stroke lengths)
Linearity	$\leq \pm 0.02$ % F.S. (minimum ± 90 μ m)
Repeatability	$\leq \pm 0.005$ % F.S. (minimum ± 20 μ m)
Operating conditions	
Operating temperature	-40...+75 °C (-40...+167 °F)
Humidity	90 % relative humidity, no condensation
Ingress protection ^{1,2}	IP67 (if mating cable connector is correctly fitted)
Shock test	100 g (single shock) IEC standard 60068-2-27
Vibration test	8 g/10...2000 Hz IEC standard 60068-2-6 (resonance frequencies excluded)
EMC test	Electromagnetic emission according to EN 61000-6-3 Electromagnetic immunity according to EN 61000-6-2 The sensor meets the requirements of the EU directives and is marked with  .
Magnet movement velocity	Any
Design/Material	
Sensor lid	Zinc die-cast
Sensor profile	Aluminum
Stroke length	50...2540 mm (2...100 in.)
Mechanical mounting	
Mounting position	Any
Mounting instruction	Please consult the technical drawings and the brief instructions (document number: 551684)
Electrical connection	
Connection type	M12 (5 pin) male connector
Operating voltage	+24 VDC (-15/+20 %); UL recognition requires an approved power supply with energy limitation (UL 61010-1), or Class 2 rating according to the National Electrical Code (USA)/Canadian Electrical Code.
Ripple	≤ 0.28 V _{pp}
Current consumption	50...140 mA
Dielectric strength	500 VDC (DC ground to machine ground)
Polarity protection	Up to -30 VDC
Overvoltage protection	Up to 36 VDC

¹/ The IP rating is not part of the UL recognition

²/ The IP rating IP67 is only valid for the sensors electronics housing, as water and dust can get inside the profile.

Sold & Serviced By:



Toll Free Phone (877) SERV098
www.electromate.com
sales@electromate.com

TECHNICAL DRAWING

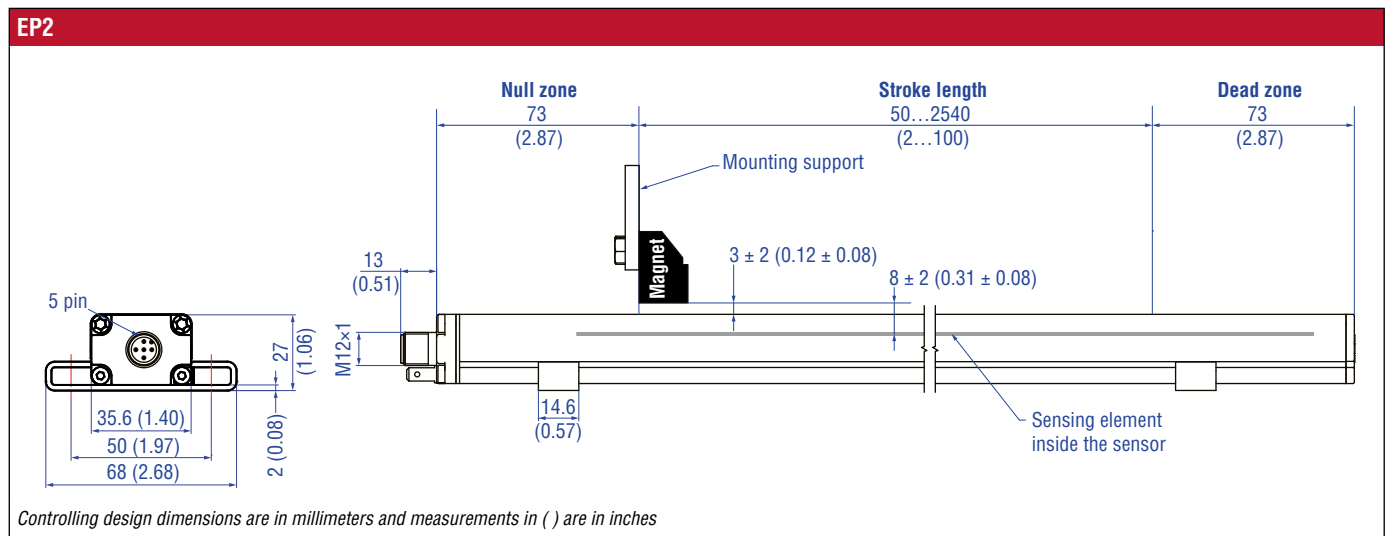


Fig. 3: E-Series EP2 with block magnet

CONNECTOR WIRING

D34

Signal + power supply

M12 male connector (A-coded)	Pin	Function
<p>View on sensor</p>	1	+24 VDC (-15 / +20 %)
	2	Output 1
	3	DC Ground (0 V)
	4	Output 2
	5	DC Ground

Fig. 4: Connector wiring D34 (M12 connector)

Sold & Serviced By:



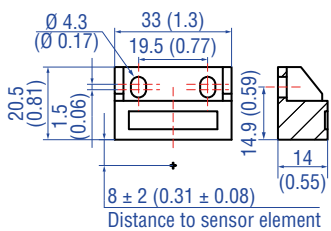
Toll Free Phone (877) SERV098

www.electromate.com

sales@electromate.com

FREQUENTLY ORDERED ACCESSORIES – Additional options available in our [Accessories Guide](#)  551444

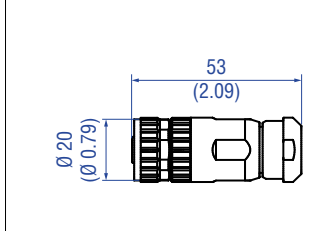
Position magnet **Cable connectors***



Block magnet L
Part no. 403 448

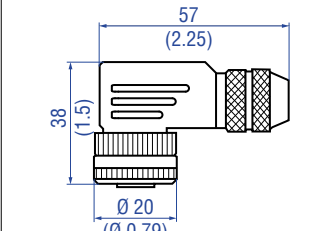
Material: Plastic carrier with hard ferrite magnet
Weight: Approx. 20 g
Fastening torque for M4 screws: 1 Nm
Operating temperature:
-40...+75 °C (-40...+167 °F)

This magnet may influence the sensor performance specifications for some applications.



M12 A-coded female connector (4 pin/5 pin), straight
Part no. 370 677

Material: GD-Zn, Ni
Termination: Screw
Contact insert: CuZn
Cable Ø: 4...8 mm (0.16...0.31 in.)
Wire: 1.5 mm²
Operating temperature:
-30...+85 °C (-22...+185 °F)
Ingress protection: IP67 (correctly fitted)
Fastening torque: 0.6 Nm



M12 A-coded female connector (5 pin), angled
Part no. 370 678

Material: GD-Zn, Ni
Termination: Screw; max. 0.75 mm²
Contact insert: CuZn
Cable Ø: 5...8 mm (0.2...0.31 in.)
Wire: 0.75 mm² (18 AWG)
Operating temperature:
-25...+85 °C (-13...+185 °F)
Ingress protection: IP67 (correctly fitted)
Fastening torque: 0.4 Nm

Cord sets **Mouting clamp**



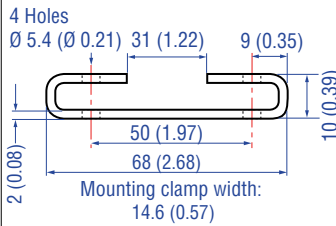
Cable with M12 A-coded female connector (5 pin), straight – pigtail
Part no. 370 673

Material: PUR jacket; black
Features: Shielded
Cable length: 5 m (16.4 ft)
Ingress protection: IP67 (correctly fitted)
Operating temperature:
-25...+80 °C (-13...+176 °F)



Cable with M12 A-coded female connector (5 pin), angled – pigtail
Part no. 370 675

Material: PUR jacket
Features: Shielded
Cable length: 5 m (16.4 ft)
Ingress protection: IP67 (correctly fitted)
Operating temperature:
-25...+80 °C (-13...+176 °F)



Mounting clamp
Part no. 403 508

Material: Stainless steel 1.4301/1.4305 (AISI 304/303)

* / Follow the manufacturer's mounting instructions
Controlling design dimensions are in millimeters and measurements in () are in inches

ORDER CODE

1	2	3	4	5	6	7	8	9	10	11	12	13	14	15
E	P	2						D	3	4	1			
a			b					c			d	e		

a	Sensor model													
E	P	2	Smooth profile											

b	Stroke length													
X	X	X	X	M	0050...2540 mm									
Standard stroke length (mm)					Ordering steps									
50... 500 mm					25 mm									
500... 2540 mm					50 mm									
X	X	X	X	U	001.0...128.0 in.									
Standard stroke length (in.)					Ordering steps									
2... 20 in.					1.0 in.									
20... 100 in.					2.0 in.									
Non-standard stroke lengths are available; must be encoded in 5 mm/0.1 in. increments.														

c	Connection type													
D	3	4	M12 (5 pin) male connector											

d	Operating voltage													
1	+24 VDC (-15/+20 %)													

e	Output													
Voltage														
V	0	1	0...10 VDC (1 output channel with 1 position magnet)											
V	1	1	10...0 VDC (1 output channel with 1 position magnet)											
V	0	2	0...10 VDC (2 output channels with 2 position magnets)											
V	1	2	10...0 VDC (2 output channels with 2 position magnets)											
V	0	3	0...10 VDC and 10...0 VDC (2 output channels with 1 position magnet)											
Current														
A	0	1	4...20 mA (1 output channel with 1 position magnet)											
A	1	1	20...4 mA (1 output channel with 1 position magnet)											
A	0	2	4...20 mA (2 output channels with 2 position magnets)											
A	1	2	20...4 mA (2 output channels with 2 position magnets)											

DELIVERY



- Sensor
- 2 mounting clamps up to 1250 mm (50 in.) stroke length + 1 mounting clamp for each 500 mm (20 in.) additional stroke length

Accessories have to be ordered separately.

Manuals, Software & 3D Models available at:
www.temposonics.com

Sold & Serviced By:



Toll Free Phone (877) SERV098
www.electromate.com
sales@electromate.com

Document Part Number:
551436 Revision E (EN) 10/2021

