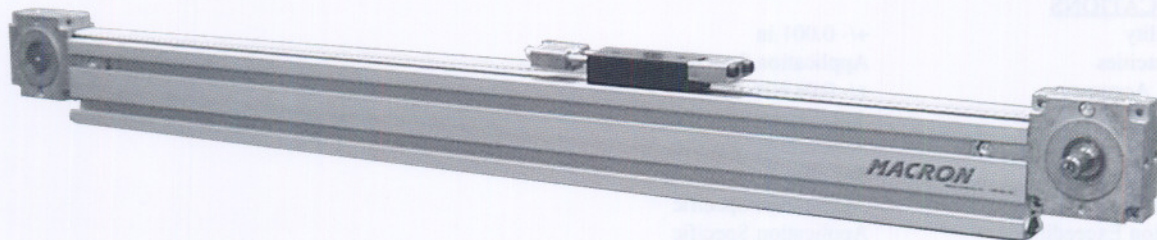
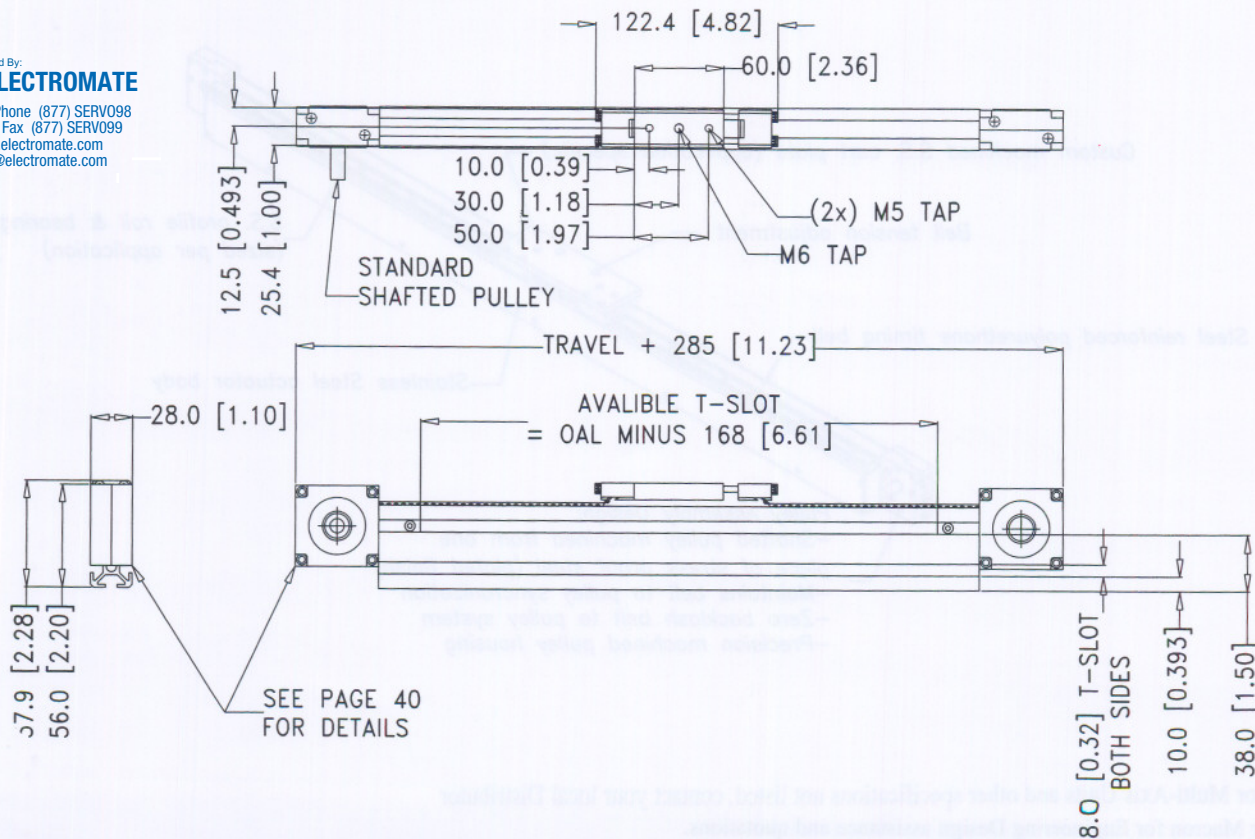


MACRON Single Belt Drive 12

(Mechanical Belt Drive to be used in conjunction with external guide Bearing System)



Sold & Serviced By:
ELECTROMATE
 Toll Free Phone (877) SERV098
 Toll Free Fax (877) SERV099
 www.electromate.com
 sales@electromate.com



MACRON Single Belt Drive 12

FEATURES

- Macron Actuators are furnished to your specifications
- Available in any length up to 6.096 meters (20 ft)
- Fast turnaround on all standard units
- Corrosion resistant components

MOTOR MOUNTING (See Page 38)

- Motor Mount Adapter - NEMA 23, 34 - (standard) - Other sizes are optional
- Shafted Pulley (standard)

SPECIFICATIONS

Repeatability	+/- 0.001 in
Load Capacities	See page 6
Positional Accuracy	+/- 0.013/36 in
Belt Options 12H	See page 6
Pulley Information	See page 6
Maximum Speed	200 in/sec
Acceleration Exceeding	5 G's
Beam Options	28x28, 28x56

SHIPPING WEIGHT

First meter of travel	} As Shown (28x56 Extrusion)
Additional per meter	

Note: No Flag Mount for Sensors

OPTIONAL

- Stainless Steel Components upon request

BELT DRIVEN ACTUATORS

Sold & Serviced By:

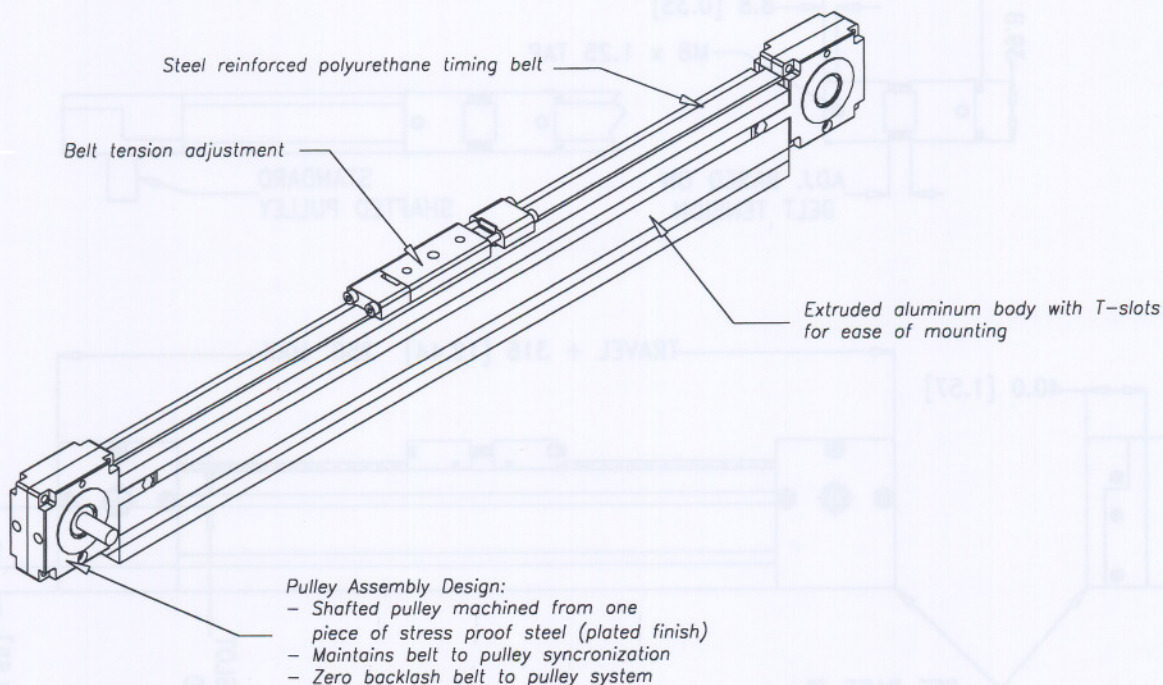
ELECTROMATE

Toll Free Phone (877) SERV098

Toll Free Fax (877) SERV099

www.electromate.com

sales@electromate.com



- For Multi-Axis Units and other specifications not listed, contact your local Distributor or Macron for Engineering Design assistance and quotations.