

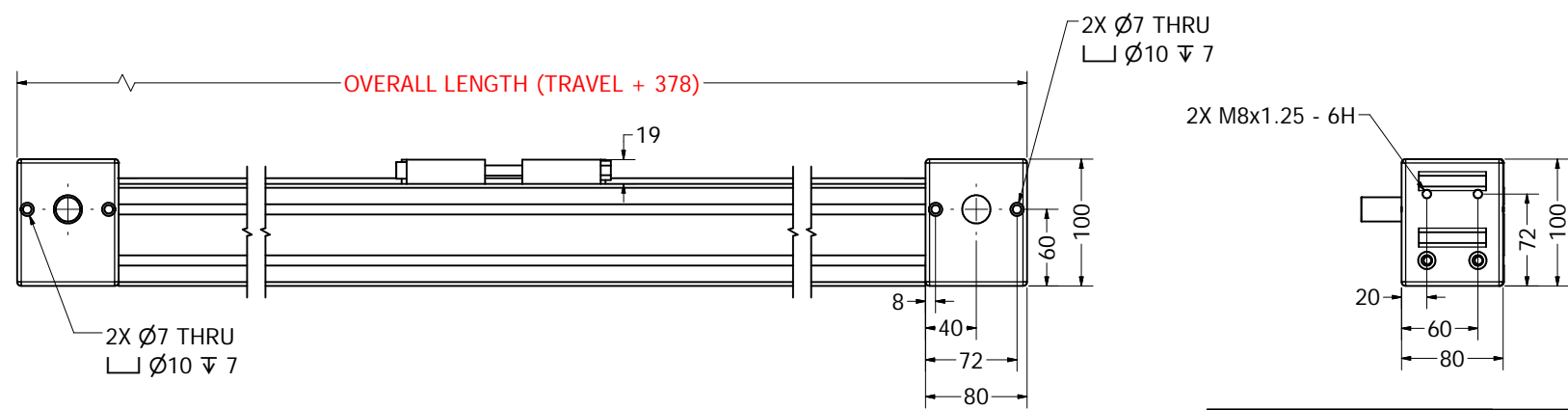
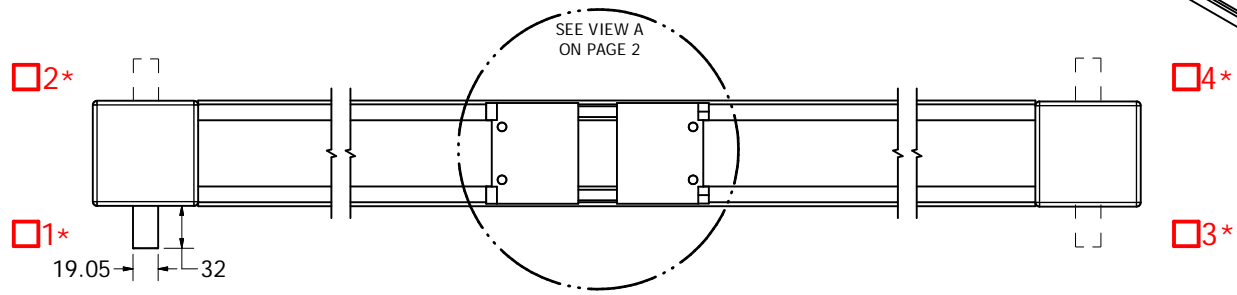
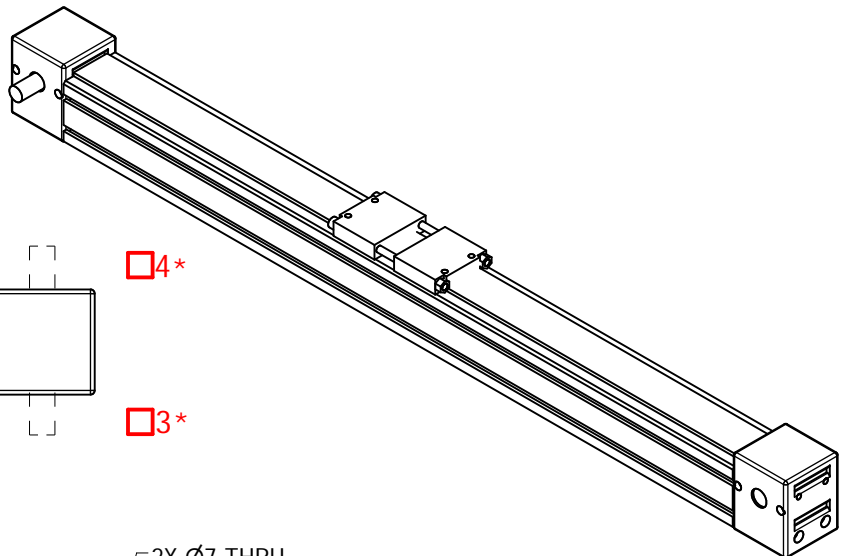
MSA - SB5 - G - BE - -

STOCK TRAVEL	OVERALL LENGTH	TRAVEL
	00750	372
	01000	622
	01250	872
	01500	1122
	01750	1372
	02000	1622
	02250	1872
	CUSTOM TRAVEL	

ENTER
OVERALL LENGTH [mm]

SELECT
DRIVE SHAFT LOCATION *

SPECIFY TYPE
A = SINGLE SHAFTED
B = DOUBLE SHAFTED

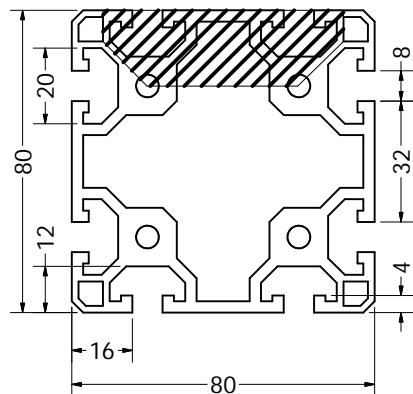


APPROVED: _____
DATE: _____

Sold & Serviced By:
ELECTROMATE
Toll Free Phone (877) SERV098
Toll Free Fax (877) SERV099
www.electromate.com
sales@electromate.com

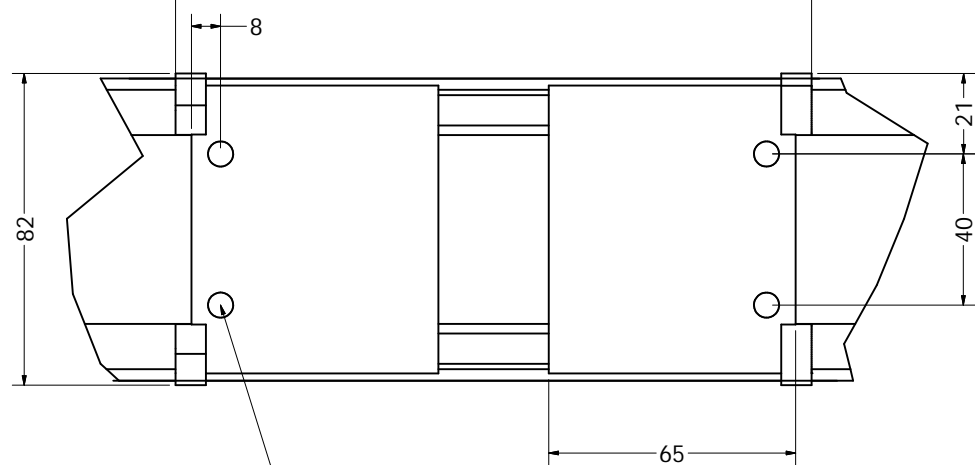
<p>3RD ANGLE PROJECTION</p> <p>THIS DRAWING IS THE PROPERTY OF MACRON DYNAMICS INC. ANY REPRODUCTIONS SHALL BE FOR QUOTATION, MANUFACTURING, OR PURCHASING PURPOSES ONLY. RELEASE OF DRAWINGS TO OTHER CONCERNS DOES NOT CONSTITUTE LICENSING IN ANY WAY. INFORMATION CONTAINED HEREIN IS PROPRIETARY AND CONFIDENTIAL.</p> <p>COMPUTER GENERATED DOCUMENT. MANUAL CHANGES NOT PERMITTED</p> <p>UNLESS OTHERWISE SPECIFIED ALL DIMENSIONS IN MILLIMETERS</p>	<p>MACRON DYNAMICS, INC.</p>	<p>TITLE MACRON SINGLE BELT DRIVE 50</p>	<p>REV 02</p>

ACTUATOR BODY
MOUNTING FEATURES
T-NUT SLOTS



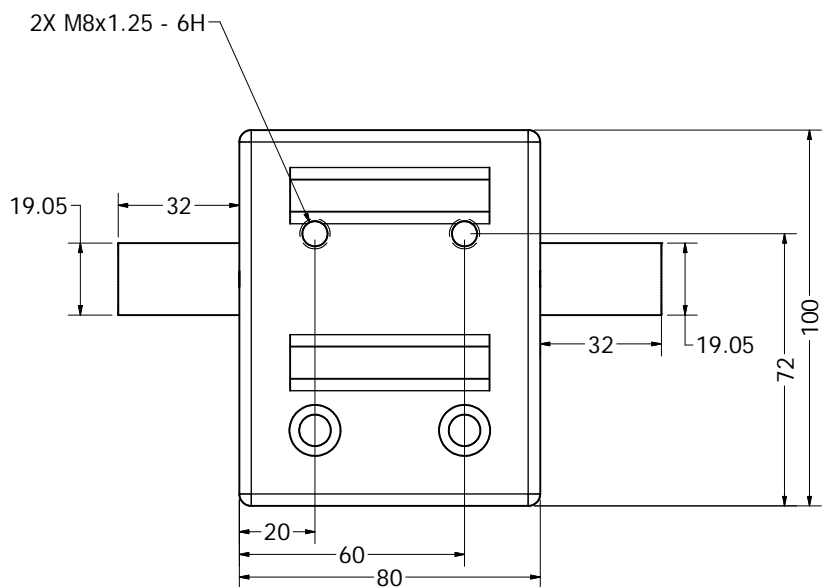
168
VARIES BASED
ON BELT TENSION

DETAIL A
SCALE 1 : 1

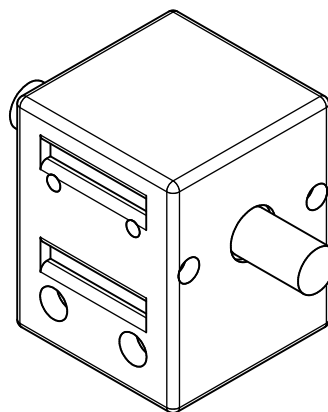


2X M8x1.25 - 6H **
USABLE DEPTH OF
THREAD = 12mm

DOUBLE SHAFTED
PULLEY



2X M8x1.25 - 6H



****NOTE:** FOR INTERFACE MTG
PLATES, SLOT HOLES ON ONE SIDE
TO ALLOW FOR BELT TENSIONING

Sold & Serviced By:
ELECTROMATE
Toll Free Phone (877) SERV098
Toll Free Fax (877) SERV099
www.electromate.com
sales@electromate.com

<p>3RD ANGLE PROJECTION</p>	<p>MACRON DYNAMICS, INC.</p>	TITLE	
		MACRON SINGLE BELT DRIVE 50	
<p>THIS DRAWING IS THE PROPERTY OF MACRON DYNAMICS INC. ANY REPRODUCTIONS SHALL BE FOR QUOTATION, MANUFACTURING, OR PURCHASING PURPOSES ONLY. RELEASE OF DRAWINGS TO OTHER CONCERNS DOES NOT CONSTITUTE LICENSING IN ANY WAY. INFORMATION CONTAINED HEREIN IS PROPRIETARY AND CONFIDENTIAL.</p>		DWG. NO.	REV
<p>COMPUTER GENERATED DOCUMENT. MANUAL CHANGES NOT PERMITTED</p>		MSA-SB5	02
<p>UNLESS OTHERWISE SPECIFIED ALL DIMENSIONS IN MILLIMETERS</p>		DO NOT SCALE DRAWING SHEET 2 OF 6	