

# MSA - SB1 - B - GB - -

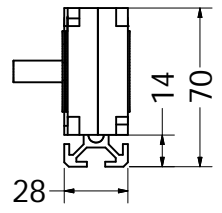
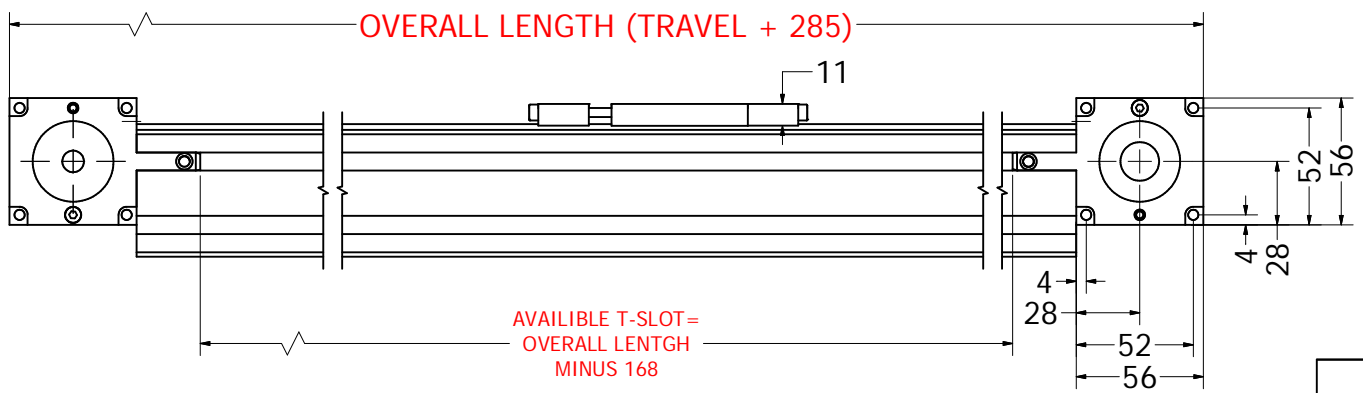
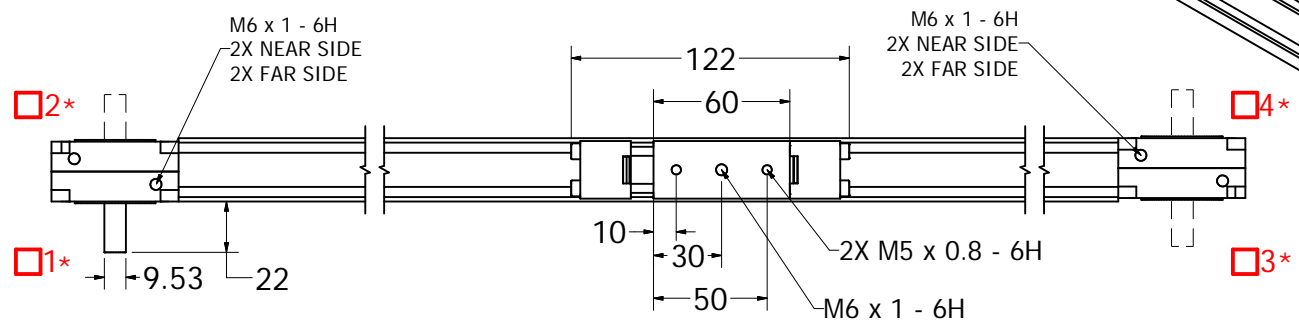
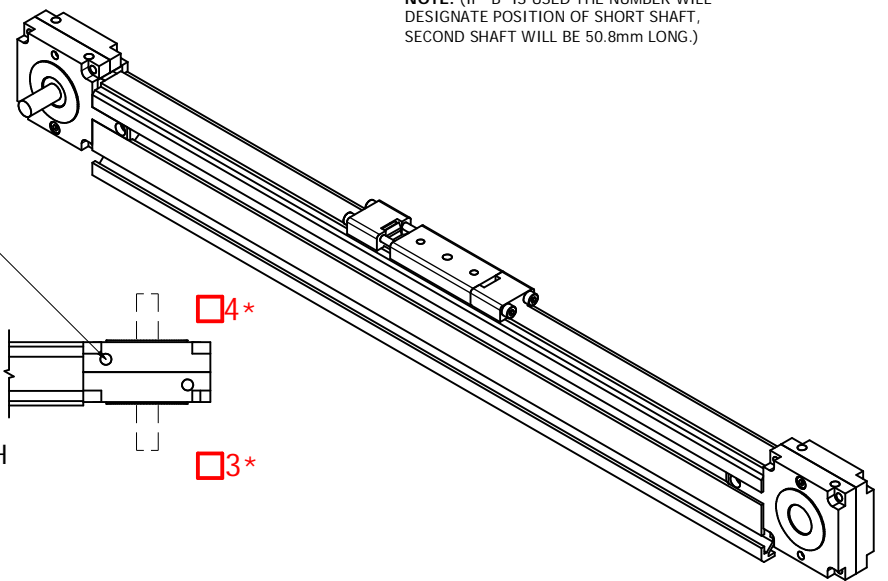
STOCK TRAVEL	OVERALL LENGTH	TRAVEL
	00500	215
	00750	465
	01000	715
	01250	965
	01500	1215
	01750	1465
	02000	1715
	02250	1965
	<b>CUSTOM TRAVEL</b>	

ENTER  
OVERALL LENGTH [mm]

SELECT  
DRIVE SHAFT LOCATION \*

SPECIFY TYPE  
A = SINGLE SHAFTED  
B = DOUBLE SHAFTED

NOTE: (IF "B" IS USED THE NUMBER WILL DESIGNATE POSITION OF SHORT SHAFT, SECOND SHAFT WILL BE 50.8mm LONG.)



APPROVED: \_\_\_\_\_  
DATE: \_\_\_\_\_

Sold & Serviced By:  
**ELECTROMATE**  
Toll Free Phone (877) SERV098  
Toll Free Fax (877) SERV099  
www.electromate.com  
sales@electromate.com

3RD ANGLE PROJECTION  THIS DRAWING IS THE PROPERTY OF MACRON DYNAMICS INC. ANY REPRODUCTIONS SHALL BE FOR QUOTATION, MANUFACTURING, OR PURCHASING PURPOSES ONLY. RELEASE OF DRAWINGS TO OTHER CONCERNS DOES NOT CONSTITUTE LICENSING IN ANY WAY. INFORMATION CONTAINED HEREIN IS PROPRIETARY AND CONFIDENTIAL.		
	TITLE <b>MACRON SINGLE BELT DRIVE 12</b>	
	DWG. NO. <b>MSA-SB1</b>	REV <b>02</b>
UNLESS OTHERWISE SPECIFIED ALL DIMENSIONS IN MILLIMETERS DO NOT SCALE DRAWING   SHEET 1 OF 6		

DOUBLE SHAFTED  
PULLEY

POWER  
TAKE-OFF  
SIDE

MOTOR  
MOUNTING  
SIDE

4X CLEARANCE HOLE  
FOR A M4 SCREW

Ø38.10 PILOT  
0.80 mm TALL  
(SHAFT LOCATION ONLY)

14.29

30

8

19

26

30

10

10

46

30

10

56

4

28

52

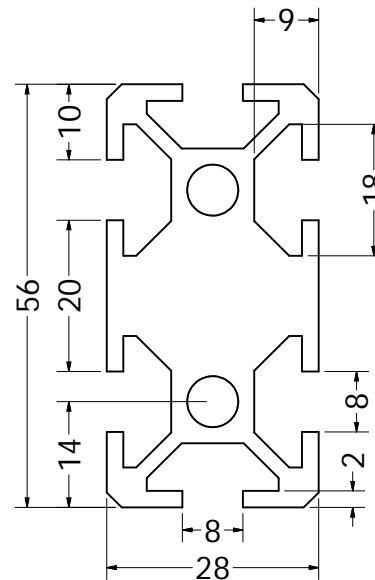
56

28

52

4

ACTUATOR BODY  
MOUNTING FEATURES  
T-NUT SLOTS



Sold & Serviced By:



Toll Free Phone (877) SERV098  
Toll Free Fax (877) SERV099  
[www.electromate.com](http://www.electromate.com)  
[sales@electromate.com](mailto:sales@electromate.com)

<p>3RD ANGLE PROJECTION</p>	<p>MACRON DYNAMICS, INC.</p>
<p>THIS DRAWING IS THE PROPERTY OF MACRON DYNAMICS INC. ANY REPRODUCTIONS SHALL BE FOR QUOTATION, MANUFACTURING, OR PURCHASING PURPOSES ONLY. RELEASE OF DRAWINGS TO OTHER CONCERNS DOES NOT CONSTITUTE LICENSING IN ANY WAY. INFORMATION CONTAINED HEREIN IS PROPRIETARY AND CONFIDENTIAL.</p>	<p>TITLE MACRON SINGLE BELT DRIVE 12</p>
<p>COMPUTER GENERATED DOCUMENT. MANUAL CHANGES NOT PERMITTED</p>	<p>DWG. NO. MSA-SB1</p>
<p>UNLESS OTHERWISE SPECIFIED ALL DIMENSIONS IN MILLIMETERS</p>	<p>REV 02</p> <p>DO NOT SCALE DRAWING   SHEET 2 OF 6</p>