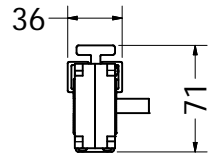
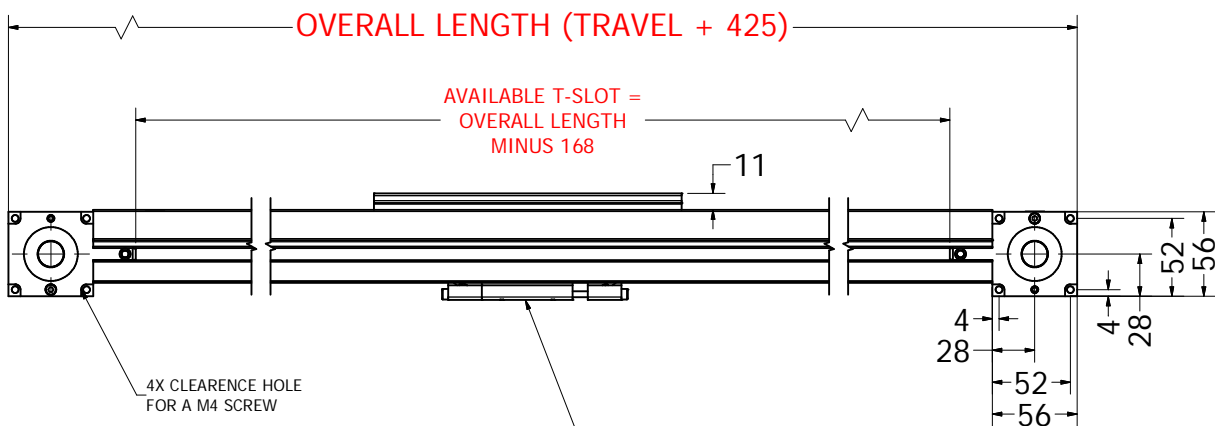
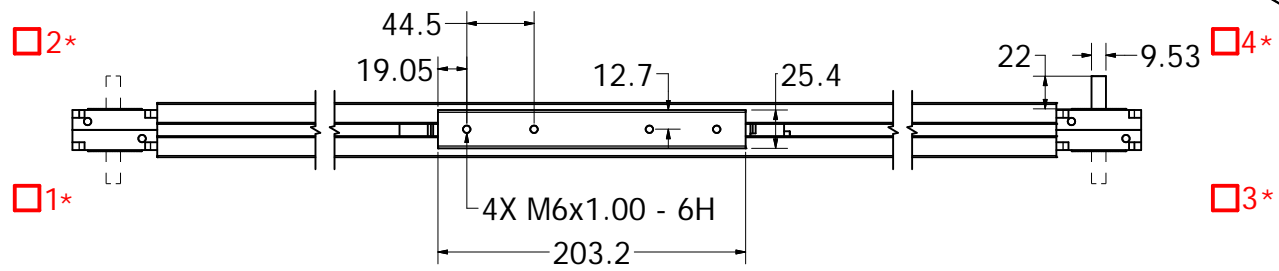
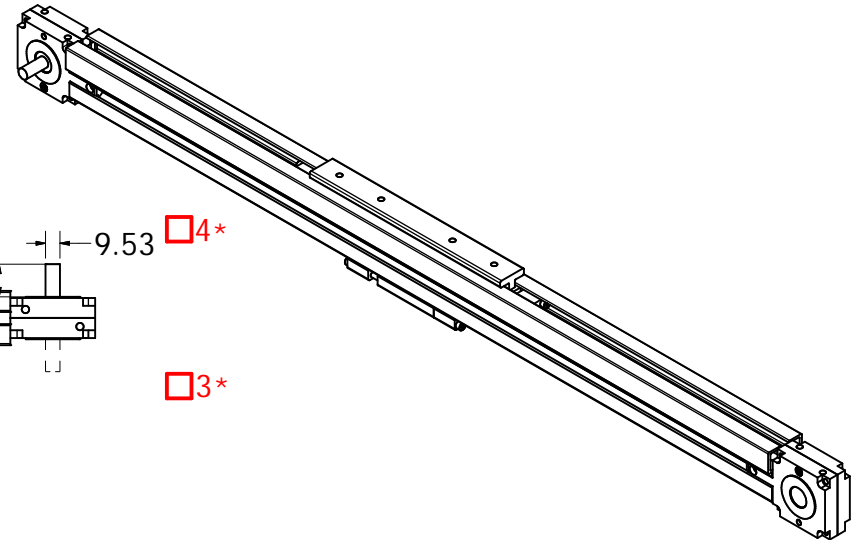


MSA - NBC - 0 - GB - -

STOCK TRAVEL	OVERALL LENGTH	TRAVEL
	00750	325
	01000	575
	01250	825
	01500	1075
	01750	1325
	02000	1575
	02250	1825
	CUSTOM TRAVEL	

ENTER OVERALL LENGTH [mm]
 SELECT DRIVE SHAFT LOCATION *
 SPECIFY TYPE
 A = SINGLE SHAFTED
 B = DOUBLE SHAFTED



APPROVED: _____
 DATE: _____

TENSION ASSEMBLY ONLY
 NOT FOR MOUNTING

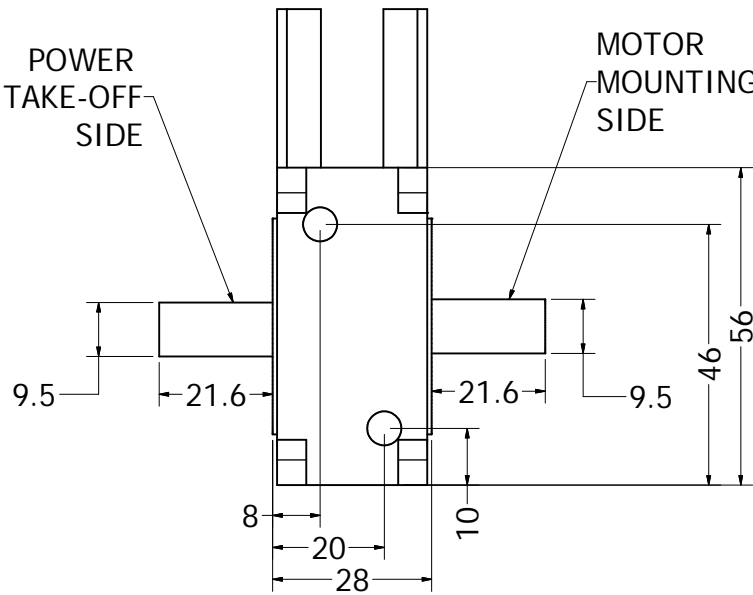
Sold & Serviced By:
ELECTROMATE
 Toll Free Phone (877) SERV098
 Toll Free Fax (877) SERV099
 www.electromate.com
 sales@electromate.com

3RD ANGLE PROJECTION THIS DRAWING IS THE PROPERTY OF MACRON DYNAMICS INC. ANY REPRODUCTIONS SHALL BE FOR QUOTATION, MANUFACTURING, OR PURCHASING PURPOSES ONLY. RELEASE OF DRAWINGS TO OTHER CONCERNS DOES NOT CONSTITUTE LICENSING IN ANY WAY. INFORMATION CONTAINED HEREIN IS PROPRIETARY AND CONFIDENTIAL.		
	TITLE MACRON NBC	
COMPUTER GENERATED DOCUMENT. MANUAL CHANGES NOT PERMITTED	DWG. NO. MSA-NBC	
UNLESS OTHERWISE SPECIFIED ALL DIMENSIONS IN MILLIMETERS	DO NOT SCALE DRAWING	REV 02

DOUBLE SHAFTED
PULLEY

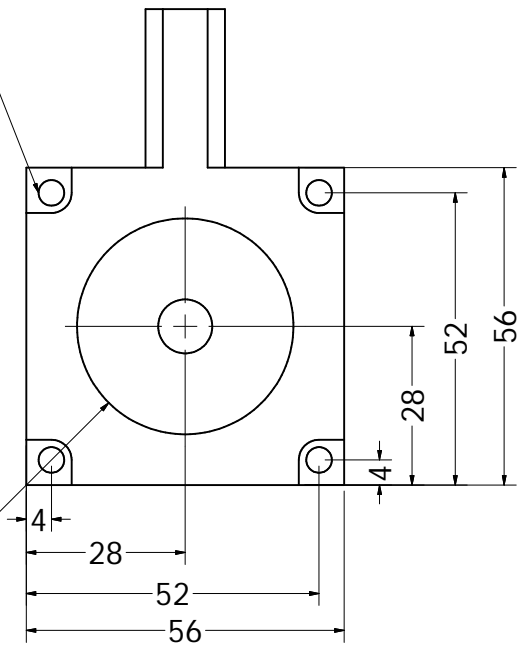
POWER
TAKE-OFF
SIDE

MOTOR
MOUNTING
SIDE

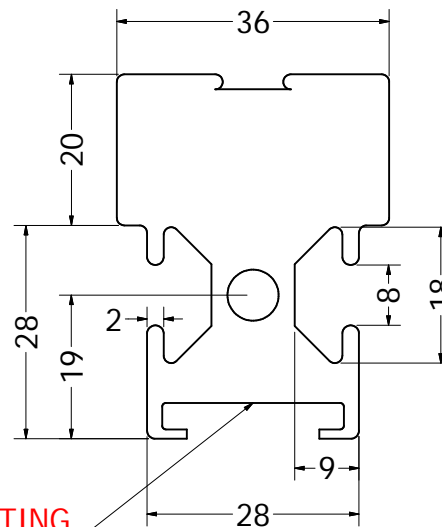


4X CLEARANCE HOLE
FOR A M4 SCREW

Ø38.10 PILOT
0.80 mm TALL
(SHAFT LOCATION ONLY)



ACTUATOR BODY
MOUNTING FEATURES
T-NUT SLOTS



NOT A MOUNTING
SURFACE

Sold & Serviced By:



Toll Free Phone (877) SERV098
Toll Free Fax (877) SERV099
www.electromate.com
sales@electromate.com

<p>3RD ANGLE PROJECTION</p>		<p>MACRON DYNAMICS, INC.</p>
<p>THIS DRAWING IS THE PROPERTY OF MACRON DYNAMICS, INC. ANY REPRODUCTIONS SHALL BE FOR QUOTATION, MANUFACTURING, OR PURCHASING PURPOSES ONLY. RELEASE OF DRAWINGS TO OTHER CONCERNS DOES NOT CONSTITUTE LICENSING IN ANY WAY. INFORMATION CONTAINED HEREIN IS PROPRIETARY AND CONFIDENTIAL.</p>		
<p>COMPUTER GENERATED DOCUMENT. MANUAL CHANGES NOT PERMITTED</p>		<p>TITLE MACRON NBC</p>
<p>UNLESS OTHERWISE SPECIFIED ALL DIMENSIONS IN MILLIMETERS</p>		<p>DWG. NO. MSA-NBC</p>
		<p>REV 02</p>
<p>DO NOT SCALE DRAWING SHEET 2 OF 7</p>		