

MSA - 14S - G - BC -

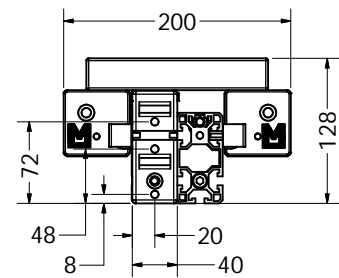
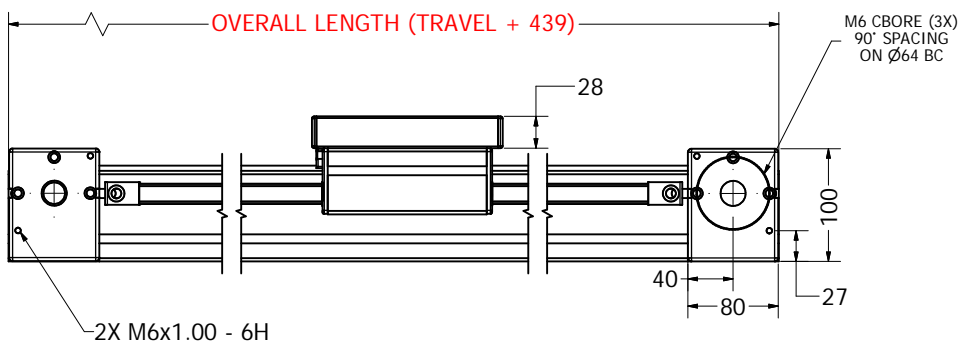
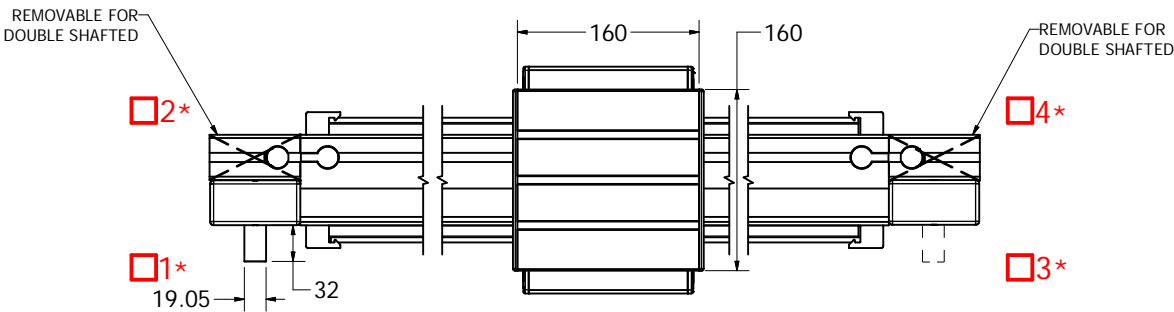
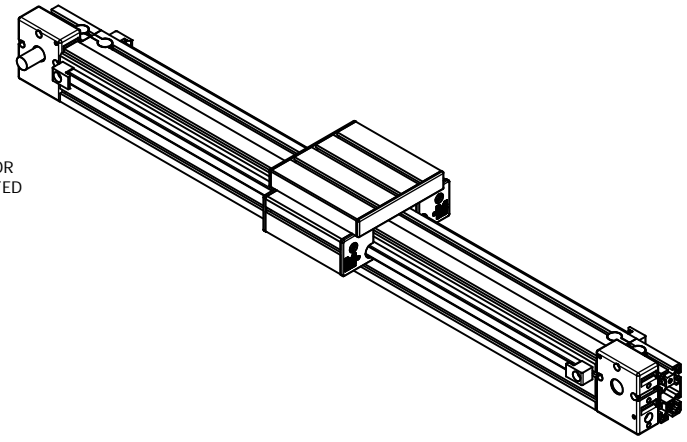
STOCK TRAVEL	OVER ALL LENGTH	TRAVEL
	00750	311
	01000	561
	01250	811
	01500	1061
	01750	1311
	02000	1561
	02250	1811
	CUSTOM TRAVEL	

ENTER
OVERALL LENGTH [mm]

SELECT
DRIVE SHAFT LOCATION *



SPECIFY TYPE
A = SINGLE SHAFTED
B = DOUBLE SHAFTED

NOTE: (IF "B" IS USED THE NUMBER WILL DESIGNATE POSITION OF SHORT SHAFT, SECOND SHAFT WILL BE 50.8mm LONG.)



APPROVED: _____
DATE: _____

Sold & Serviced By:
 **ELECTROMATE**
 Toll Free Phone (877) SERV098
 Toll Free Fax (877) SERV099
www.electromate.com
sales@electromate.com

 3RD ANGLE PROJECTION	 MACRON DYNAMICS, INC.
THIS DRAWING IS THE PROPERTY OF MACRON DYNAMICS, INC. ANY REPRODUCTIONS SHALL BE FOR QUOTATION, MANUFACTURING, OR PURCHASING PURPOSES ONLY. RELEASE OF DRAWINGS TO OTHER CONCERNS DOES NOT CONSTITUTE LICENSING IN ANY WAY. INFORMATION CONTAINED HEREIN IS PROPRIETARY AND CONFIDENTIAL.	
COMPUTER GENERATED DOCUMENT. MANUAL CHANGES NOT PERMITTED	
UNLESS OTHERWISE SPECIFIED ALL DIMENSIONS IN MILLIMETERS	
TITLE MACRON 14	DWG. NO. MSA-14S
	REV 02
DO NOT SCALE DRAWING SHEET 1 OF 6	

4

3

2

1

D

D

C

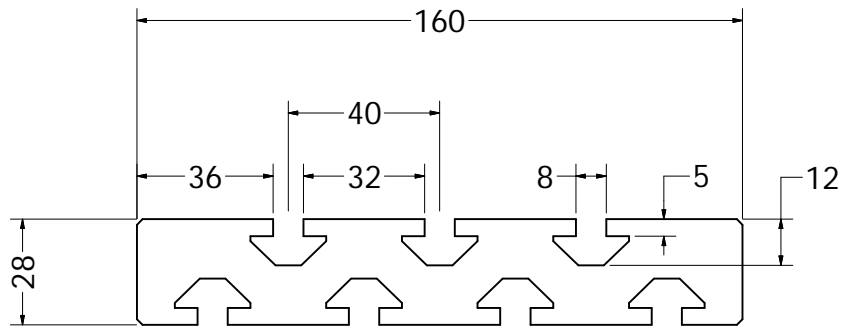
C

B

B

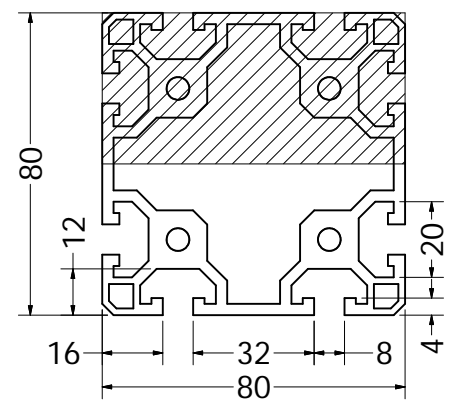
A

A

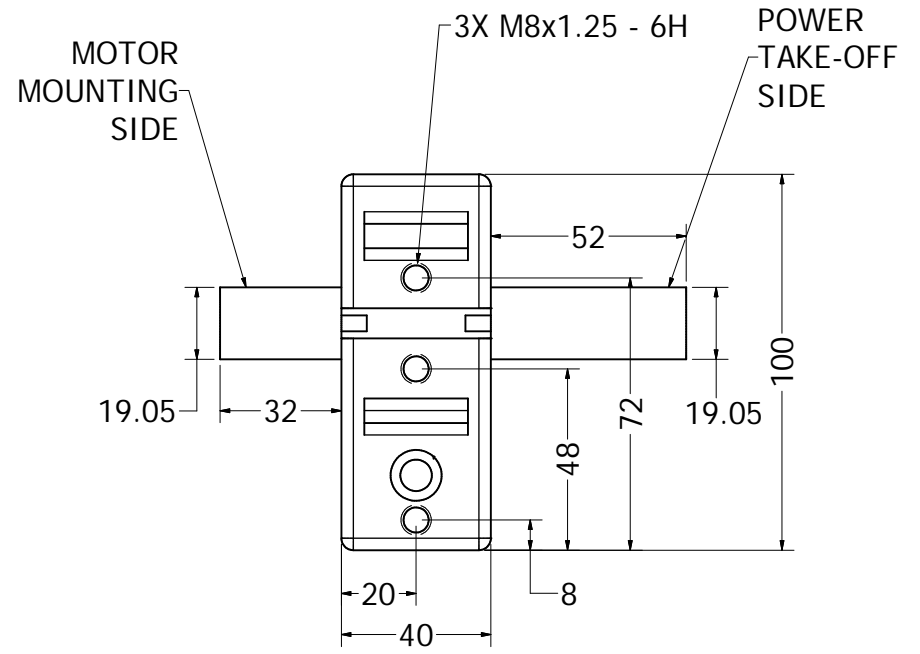
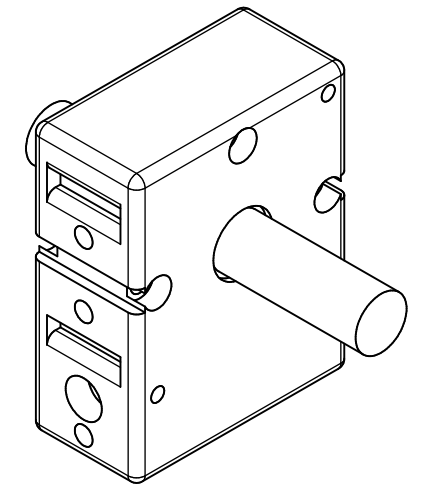


CART MOUNTING
FEATURES T-NUT SLOTS



ACTUATOR BODY
MOUNTING FEATURES
T-NUT SLOTS



DOUBLE SHAFTED
PULLEY



Sold & Serviced By:
 **ELECTROMATE**
 Toll Free Phone (877) SERV098
 Toll Free Fax (877) SERV099
www.electromate.com
sales@electromate.com

 3RD ANGLE PROJECTION		 MACRON DYNAMICS, INC.
<small>THIS DRAWING IS THE PROPERTY OF MACRON DYNAMICS INC. ANY REPRODUCTIONS SHALL BE FOR QUOTATION, MANUFACTURING, OR PURCHASING PURPOSES ONLY. RELEASE OF DRAWINGS TO OTHER CONCERNS DOES NOT CONSTITUTE LICENSING IN ANY WAY. INFORMATION CONTAINED HEREIN IS PROPRIETARY AND CONFIDENTIAL.</small>		
COMPUTER GENERATED DOCUMENT. MANUAL CHANGES NOT PERMITTED		TITLE MACRON 14
UNLESS OTHERWISE SPECIFIED ALL DIMENSIONS IN MILLIMETERS		DWG. NO. MSA-14S
		REV 02
		<small>DO NOT SCALE DRAWING SHEET 2 OF 6</small>

4

3

2

1

4