

RCA2-SD4N

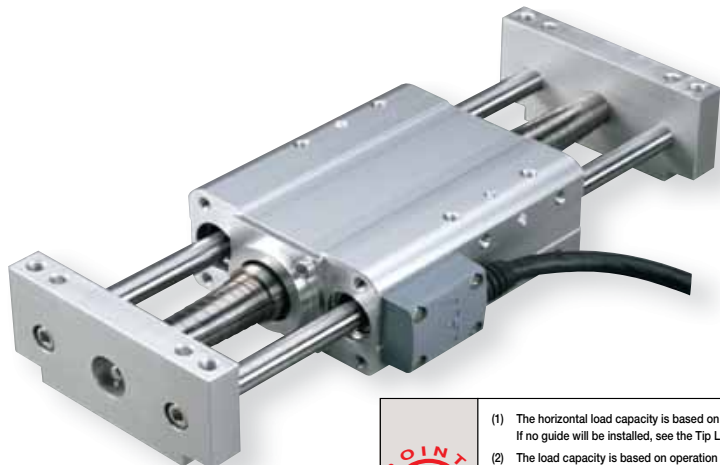
ROBO Cylinder Mini Rod Type Short-Length Slide Unit Type with Double Guide
72mm Width 24V Servo Motor Ball Screw/Lead Screw

■ Configuration: **RCA2** — **SD4N** — **I** — **20** — — — — —

Series	Type	Encoder	Motor	Lead	Stroke	Compatible Controllers	Cable Length	Option
RCA2	SD4N	I: Incremental * The Simple absolute encoder is also considered type "I".	20 : 20W Servo Motor	6: 6mm ball screw 4: 4mm ball screw 2: 2mm ball screw 6S: 6mm lead screw 4S: 4mm lead screw 2S: 2mm lead screw	25 : 25mm 50 : 50mm 75 : 75mm	A1 : ACON RACON ASEL A3 : AMEC ASEP	N : None P : 1m S : 3m M : 5m X <input type="checkbox"/> : Custom	LA : Power-saving

* See page Pre-35 for an explanation of the naming convention.

Power-saving



Technical References P. A-5

- POINT**
Notes on Selection
- The horizontal load capacity is based on the use of a guide to prevent any radial and/or moment load on the rod. If no guide will be installed, see the Tip Load vs. Service Life graph (→ page A-82).
 - The load capacity is based on operation at an acceleration of 0.3G (0.2G for the 2mm-lead model, lead screw model, or when used vertically). This is the upper limit of the acceleration.
 - The values for the vertical load capacity are based on a setup in which the actuator is secured and the side bracket is moved. Please note that moving the actuator against the secured side bracket is not possible.
 - When using the lead screw model, please use it for applications that are suitable for its characteristics. (See page Pre-42 for more information.)

Actuator Specifications

Model	Motor Output (W)	Feed Screw	Lead (mm)	Max. Load Capacity		Rated Thrust (N)	Positioning Repeatability (mm)	Stroke (mm)	Stroke and Maximum Speed			
				Horizontal (kg)	Vertical (kg)				Lead	Stroke (mm)	25 (mm)	50 ~ 75 (mm)
RCA2-SD4N-I-20-6-①-②-③-④	20	Ball Screw	6	2	0.5 (*1)	33.8	±0.02	25 50 75	Ball Screw	6	240 <200>	300
RCA2-SD4N-I-20-4-①-②-③-④			4	3	0.75 (*1)	50.7				4	200	200
RCA2-SD4N-I-20-2-①-②-③-④			2	6	1.5 (*1)	101.5				2	100	100
RCA2-SD4N-I-20-6S-①-②-③-④	20	Lead Screw	6	0.25	0.125 (*1)	19.9	±0.05	25 50 75	Lead Screw	6	200	300
RCA2-SD4N-I-20-4S-①-②-③-④			4	0.5	0.25 (*1)	29.8				4	200	200
RCA2-SD4N-I-20-2S-①-②-③-④			2	1	0.5 (*1)	59.7				2	100	100

Legend ① Stroke ② Compatible controller ③ Cable length ④ Options (*1) When the main unit is fixed * The values enclosed in < > apply for vertical usage. (Unit: mm/s)

① Stroke List

Stroke (mm)	Standard Price	
	Ball Screw	Lead Screw
25	-	-
50	-	-
75	-	-

③ Cable List

Type	Cable Symbol	Standard Price
Standard (Robot Cables)	P (1m)	-
	S (3m)	-
	M (5m)	-
Special Lengths	X06 (6m) ~ X10 (10m)	-
	X11 (11m) ~ X15 (15m)	-
	X16 (16m) ~ X20 (20m)	-
		-

* The RCA2 comes standard with a robot cable.
* See page A-39 for cables for maintenance.

④ Option List

Name	Option Code	See Page	Standard Price
Power-saving	LA	→ A-32	-

Actuator Specifications

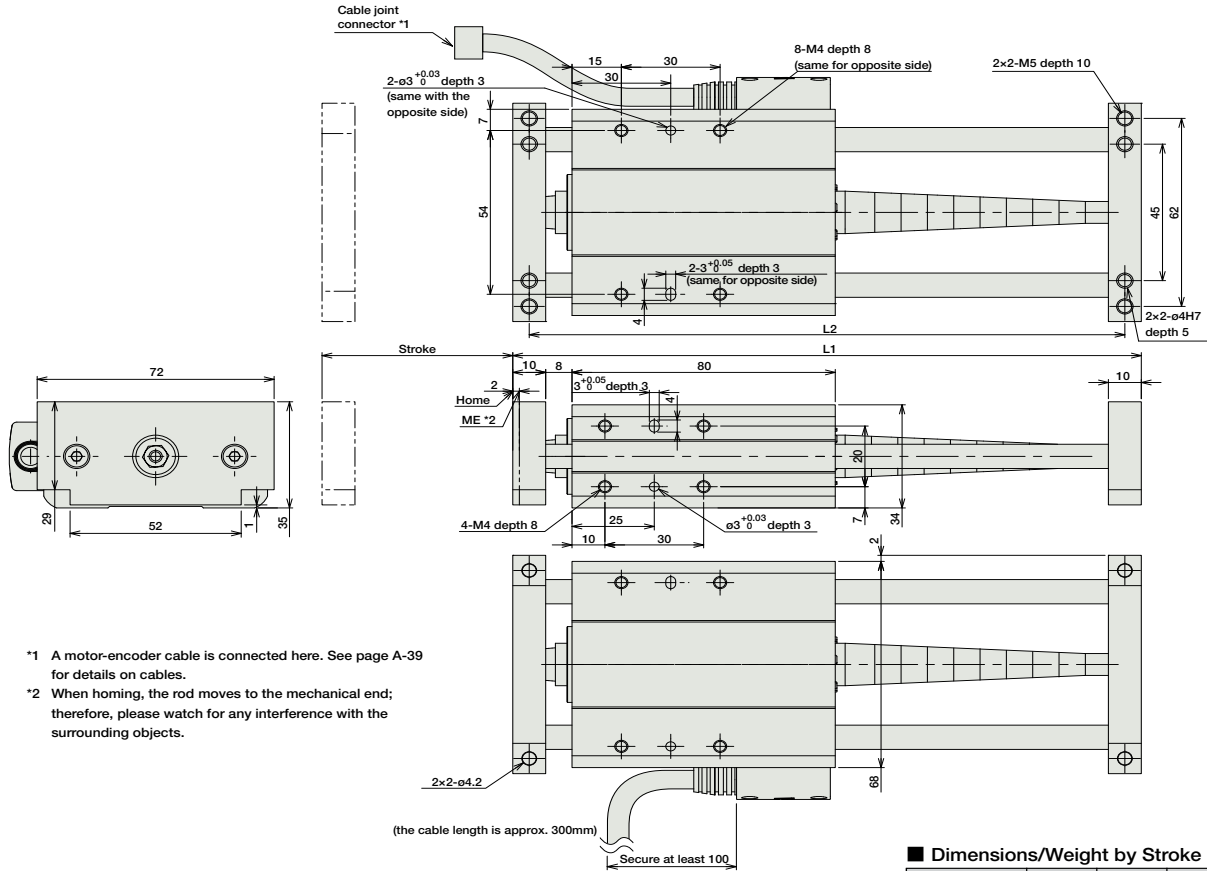
Item	Description
Drive System	Ball screw/Lead screw ø6mm C10 grade
Lost Motion	Ball screw: 0.1mm or less/Lead screw: 0.3mm or less (initial value)
Frame	Material: Aluminum (white alumite treated)
Ambient Operating Temp./Humidity	0~40°C, 85% RH or less (non-condensing)
Service Life	Lead Screw: Horizontal: 10 million cycles Vertical: 5 million cycles

195

RCA2-SD4N

Dimensions

For Special Orders  P. A-9






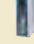

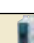


- *1 A motor-encoder cable is connected here. See page A-39 for details on cables.
- *2 When homing, the rod moves to the mechanical end; therefore, please watch for any interference with the surrounding objects.

■ Dimensions/Weight by Stroke

Stroke	25	50	75
L1	141	166	191
L2	131	156	181
Weight (kg)	0.73	0.75	0.77

② Compatible Controllers

The RCA2 series actuators can operate with the controllers below. Select the controller according to your usage.

Name	External View	Model	Description	Max. Positioning Points	Input Voltage	Power Supply Capacity	Standard Price	See Page
Solenoid Valve Type		AMEC-C-20①-NP-2-1	Easy-to-use controller, even for beginners	3 points	AC100V	2.4A rated	-	→ P477
		ASEP-C-20①-NP-2-0	Operable with same signal as solenoid valve. Supports both single and double solenoid types. No homing necessary with simple absolute type.					
Splash-Proof Solenoid Valve Type		ASEP-CW-20①-NP-2-0						→ P487
Positioner Type		ACON-C-20①-NP-2-0	Positioning is possible for up to 512 points	512 points	DC24V	(Standard) 1.3A rated 4.4A max.	-	→ P535
Safety-Compliant Positioner Type		ACON-CG-20①-NP-2-0						
Pulse Train Input Type (Differential Line Driver)		ACON-PL-20①-NP-2-0	Pulse train input type with differential line driver support	(-)		(Power-saving) 1.3A rated 2.5A max.	-	
Pulse Train Input Type (Open Collector)		ACON-PO-20①-NP-2-0	Pulse train input type with open collector support					
Serial Communication Type		ACON-SE-20①-N-0-0	Dedicated to serial communication	64 points				
Field Network Type		RACON-20①	Dedicated to field network	768 points				→ P503
Program Control Type		ASEL-C-1-20①-NP-2-0	Programmed operation is possible. Operation is possible on up to 2 axes	1500 points				→ P567

* This is for the single-axis ASEL.
 * ① is a placeholder for the code "LA" if the power-saving option is specified.

- Slider Type
- Mini
- Standard
- Controllers Integrated
- Rod Type
- Mini
- Standard
- Controllers Integrated
- Table/Arm /Flat Type
- Mini
- Standard
- Controllers Integrated
- Gripper/ Rotary Type
- Linear Servo Type
- Cleanroom Type
- Splash Proof
- Controllers
- PMEC /AMEC
- PSEP /ASEP
- ROBO NET
- ERC2
- PCON
- ACON
- SCON
- PSEL
- ASEL
- SSEL
- XSEL
- Pulse Motor
- Servo Motor (24V)
- Servo Motor (200V)
- Linear Servo Motor