



## ▶ LINEAR MOUNT PRODUCTS

### GAM can.

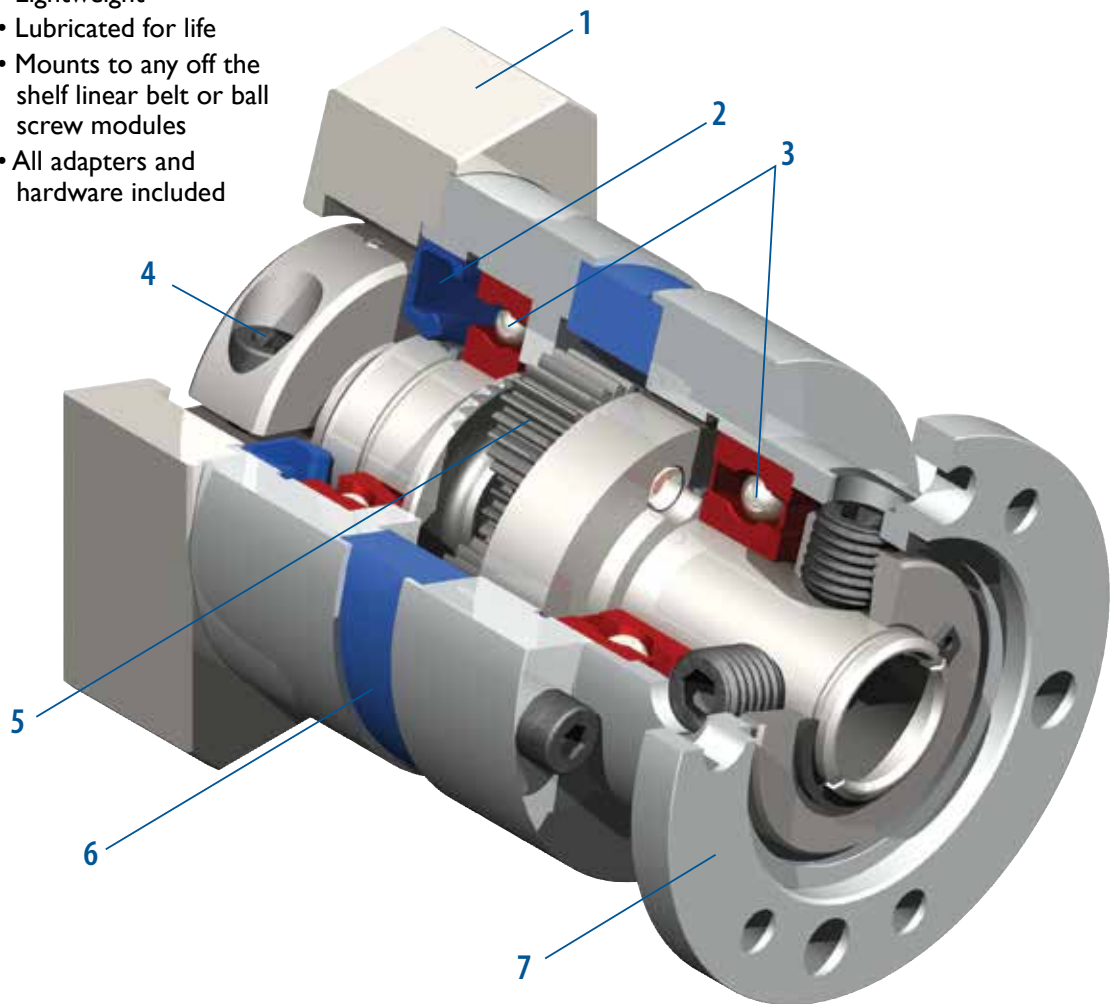
If you don't see exactly what you need, let us know. We can modify the EPL Series gearboxes to meet your needs. Page 4 provides a list of commonly requested modifications to give you a feel for our capabilities.

GAM Linear Mount Products take the hassle out of mounting your motor or gearbox to a linear ball screw or belt actuator. This unique product offering consists of motor mount kits, inline and right angle gearboxes, as well as couplings. For everything between the motor and actuator, GAM Can!

GAM's EPL-H is an innovative inline gear reducer that features a hollow output design which allows direct connection to linear products. This eliminates the need for any additional couplings or adapters for the most compact and cost effective solution available. Right angle options are available.

### EPL-H Series Features

- Low backlash
- Precision gears
- Lightweight
- Lubricated for life
- Mounts to any off the shelf linear belt or ball screw modules
- All adapters and hardware included



**Just tell us what motor and what module you want to mount and GAM will take care of all the engineering.**

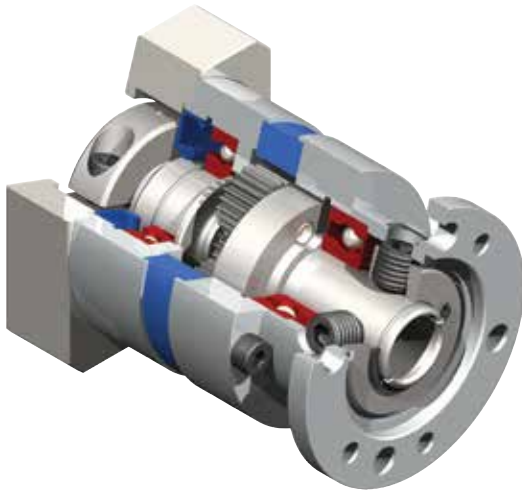
- 1. Adapter Plate**  
(Customized adapter plates for quick and easy motor mounting)
- 2. Seals**  
(Protective seals to isolate the gearbox)
- 3. Ball Bearings**  
(Single ball bearing in the EPL-H-064; dual ball bearings in all other sizes and styles)
- 4. Input Clamping Element**
- 5. Planet Gears**  
(Precision honed gears)
- 6. Ring Gear**  
(Ring gear incorporated into housing)
- 7. Output Face**  
(Ready to mount to belt or ball screw modules)

Sold & Serviced By:



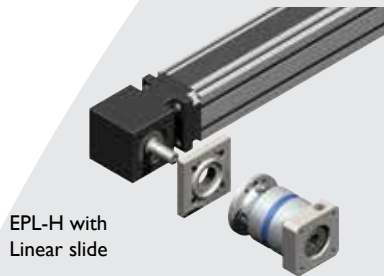
Toll Free Phone (877) SERV098  
Toll Free Fax (877) SERV099

77 [www.electromate.com](http://www.electromate.com)  
[sales@electromate.com](mailto:sales@electromate.com)

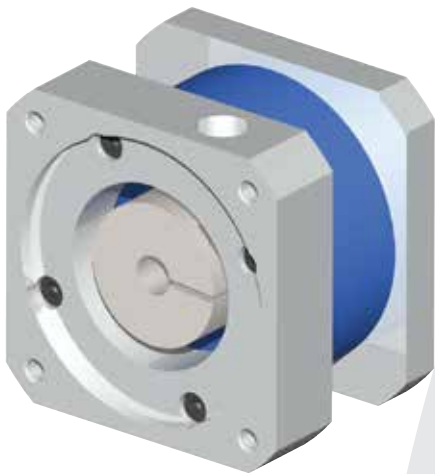


## EPL-H Gearboxes

- Our most popular in-line planetary with a unique hollow output and zero-backlash clamping ring
- Quick, simple, and low-cost solution used to mount onto any off-the-shelf linear belt or ball screw modules
- Precision gears
- Ratios up to 1000:1
- Frame sizes from 64 mm to 118 mm
- Same backlash and efficiencies as EPL Series (Specs on pg. 33)

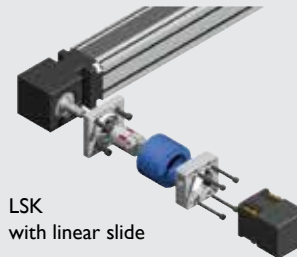


EPL-H with Linear slide

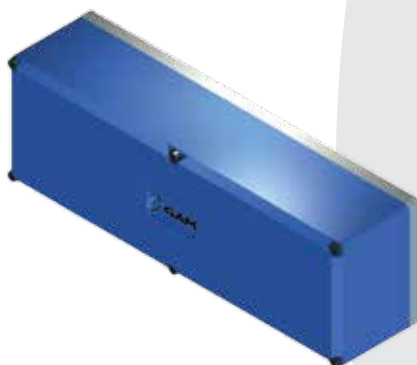


## Linear Slide Kit (LSK)

- Customized assembly to mount any motor or gearbox to any linear slide
- In line motor mounting
- Coupling included
- Quick delivery

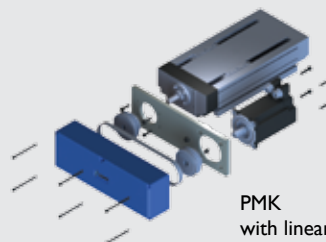


LSK with linear slide

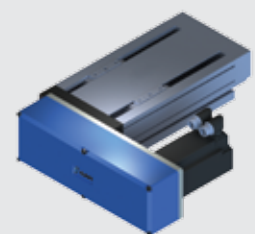


## Parallel Mount Kit (PMK)

- Customized assembly to mount any motor or gearbox to any linear ball screw product
- Parallel motor mounting design
- Includes timing pulleys, belt, and hardware.
- Quick delivery



PMK with linear slide



Sold & Serviced By:

 **ELECTROMATE**

Toll Free Phone (877) SERV098

Toll Free Fax (877) SERV099

[www.electromate.com](http://www.electromate.com)

[sales@electromate.com](mailto:sales@electromate.com)



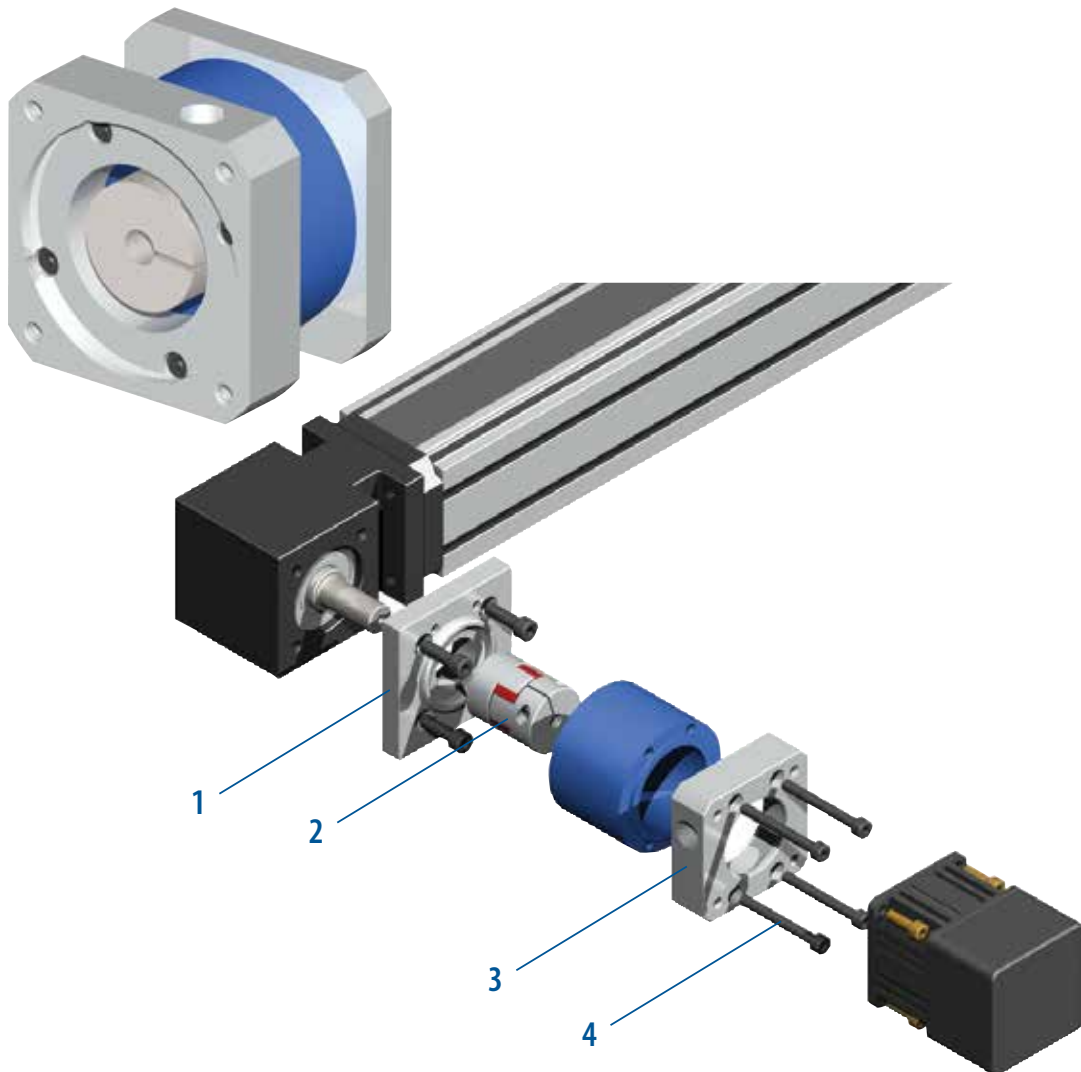
## ▶ LINEAR MOUNT: LINEAR SLIDE KIT (LSK)

### GAM can.

If you don't see exactly what you need, let us know. We can modify the LSK to meet your needs.

Our no-hassle solution for mounting linear slides to motors and gearboxes is our LSK (Linear Slide Kit.) It can be customized to any motor or gearbox and linear slide. A coupling is included – bellows or elastomer. The LSK is readily available and comes complete with mounting hardware. You just need to tighten the bolts.

- A customized mounting solution without the long lead times
- Three sizes
- Quick delivery
- Reasonably priced
- GAM provides all engineering and design for your application
- 2D/3D configurable LSK models now available at [www.gamweb.com](http://www.gamweb.com)



**Just tell us what motor and what module you want to mount and GAM will take care of all the engineering.**

#### 1. Slide Adapter Flange

(Custom adapter for any linear slide module)

#### 3. Motor Adapter Flange

(Custom adapter for any servo motor)

#### 2. Coupling

(Custom machined coupling with or without keyways)

#### 4. Hardware

(All mounting hardware provided in kit)

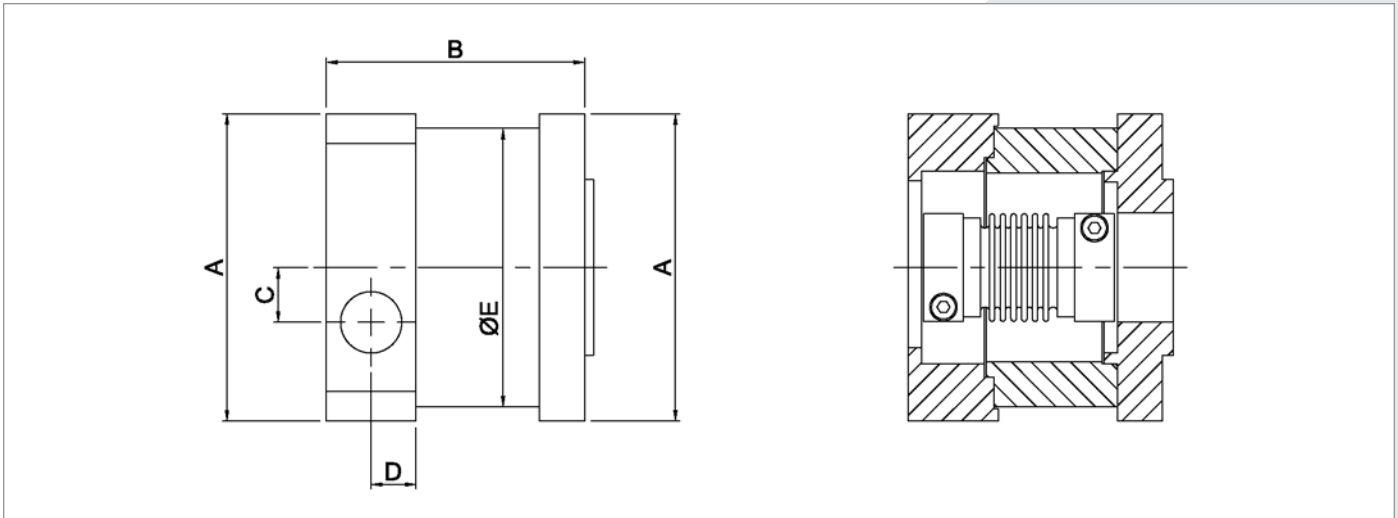
Sold & Serviced By:



Toll Free Phone (877) SERV098  
Toll Free Fax (877) SERV099

79 [www.electromate.com](http://www.electromate.com)  
[sales@electromate.com](mailto:sales@electromate.com)

# ▶ LINEAR MOUNT: LINEAR SLIDE KIT (LSK)



	Coupling Type	Rated Torque Nm (lb-in)	Min Shaft Diameter mm (in)	Max Shaft Diameter mm (in)	Coupling Stiffness 10 <sup>3</sup> Nm/rad (lb-ft/deg)	Coupling Inertia 10 <sup>-3</sup> kgm <sup>-2</sup> (lb-in <sup>-2</sup> )	Amin mm (in)	Bmin mm (in)	E mm (in)
LSK21	Bellows	4 (35)	3 (0.12)	14* (0.55)	1.8 (23)	0.003 (0.01)	70 (2.75)	62 (2.44)	63.5 (2.50)
LSK22	Bellows	8 (71)	6 (0.24)	19.05* (0.75)	6.5 (84)	0.02 (0.07)	70 (2.75)	70 (2.75)	63.5 (2.50)
LSK23	Elastomer	8 (71)	6 (0.24)	16* (0.63)	0.16 (2.1)	0.01 (0.03)	70 (2.75)	62 (2.44)	63.5 (2.50)
LSK31	Elastomer	15 (133)	9.53 (0.375)	19.05* (0.75)	0.82 (10.6)	0.03 (0.10)	88.9 (3.50)	74 (2.91)	88.9 (3.50)
LSK32	Bellows	25 (221)	9.53 (0.375)	28* (1.10)	12 (154)	0.09 (0.31)	88.9 (3.50)	81 (3.19)	88.9 (3.50)
LSK33	Elastomer	30 (266)	12.7 (0.50)	26* (1.02)	1.4 (18)	0.09 (0.31)	88.9 (3.50)	74 (2.91)	88.9 (3.50)
LSK41	Bellows	50 (443)	15 (0.59)	35* (1.38)	22 (282)	0.22 (0.75)	120 (4.72)	86 (3.39)	114.3 (4.50)
LSK42	Elastomer	60 (531)	15 (0.59)	29* (1.14)	2.1 (27)	0.18 (0.62)	120 (4.72)	86 (3.39)	114.3 (4.50)
LSK43	Bellows	125 (1106)	16 (0.625)	44* (1.73)	44 (565)	0.75 (2.56)	120 (4.72)	95 (3.74)	114.3 (4.50)
LSK44	Elastomer	150 (1328)	22 (0.87)	38.1* (1.50)	3.6 (46)	0.38 (1.30)	120 (4.72)	105 (4.13)	114.3 (4.50)

\* An extra adapter may be required for a C-face mounting (motor or gearbox side only)

## TYPE CODES FOR LSK SERIES

Example: LSK32K-0001



(N= No Keyways,  
K= Keyways)  
\*Full keyway not available  
for max shaft diameter  
Contact GAM for other  
options



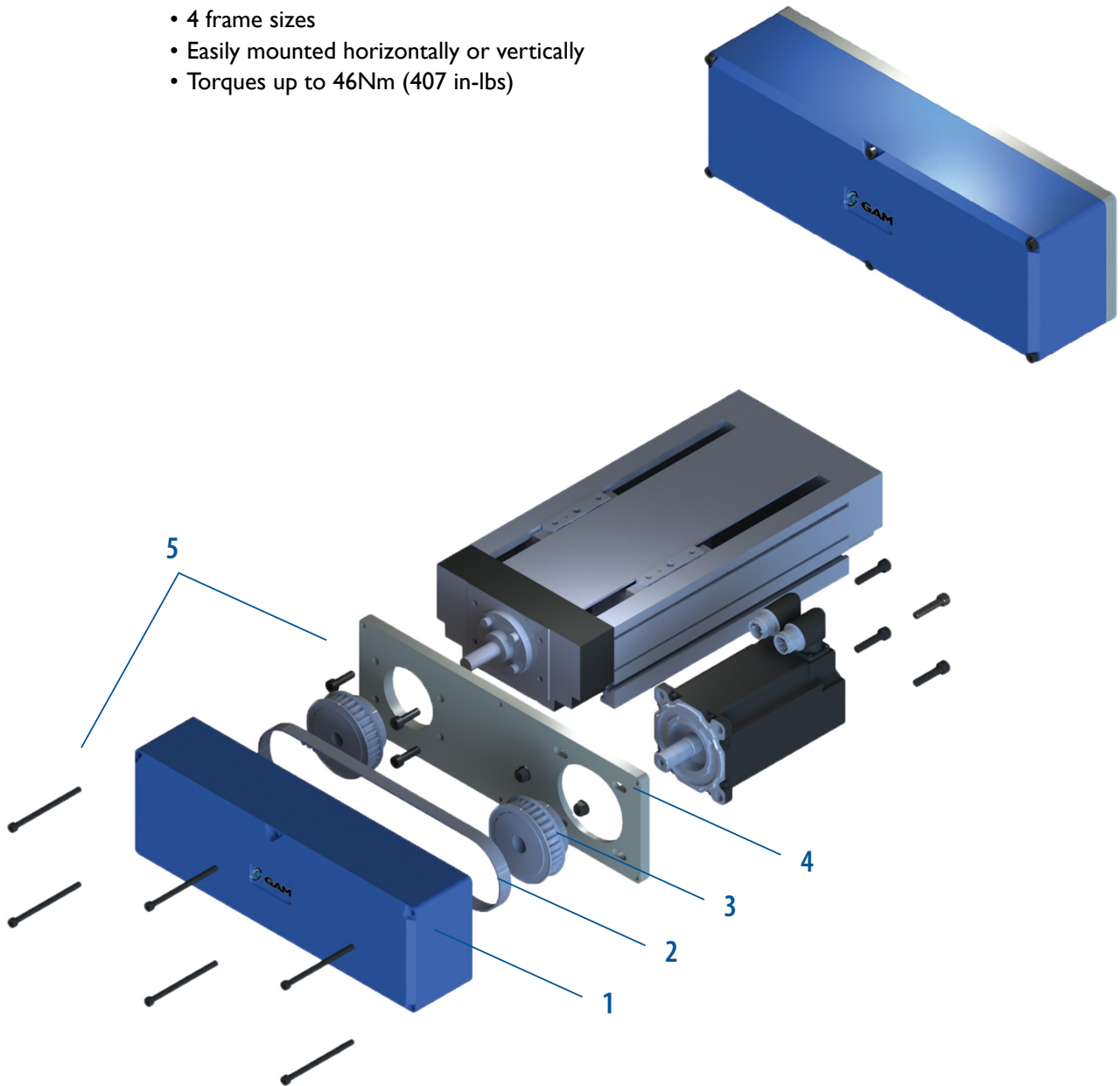
# ▶ LINEAR MOUNT: PARALLEL MOUNT KIT

## Parallel Mount Kit (PMK)

The latest addition to GAM's innovative linear mount product line is the new PMK (Parallel Mount Kit) series. The PMK can help save space and reduce the overall length of an actuator by bringing the motor parallel to the ball screw. Unlike similar products available on the market, the PMK was designed for flexibility enabling you to connect any motor to any linear ball screw actuator.

### Features

- 4 frame sizes
- Easily mounted horizontally or vertically
- Torques up to 46Nm (407 in-lbs)



#### 1. Housing

Machined aluminum and anodized

#### 2. Belt

High torque rubber timing belt

#### 3. Pulleys

Low inertia and custom machined

#### 4. Adapter Flange

Designed specifically for any linear ball screw actuator and motor

#### 5. Hardware

All mounting hardware provided in kit

Sold & Serviced By:

ELECTROMATE

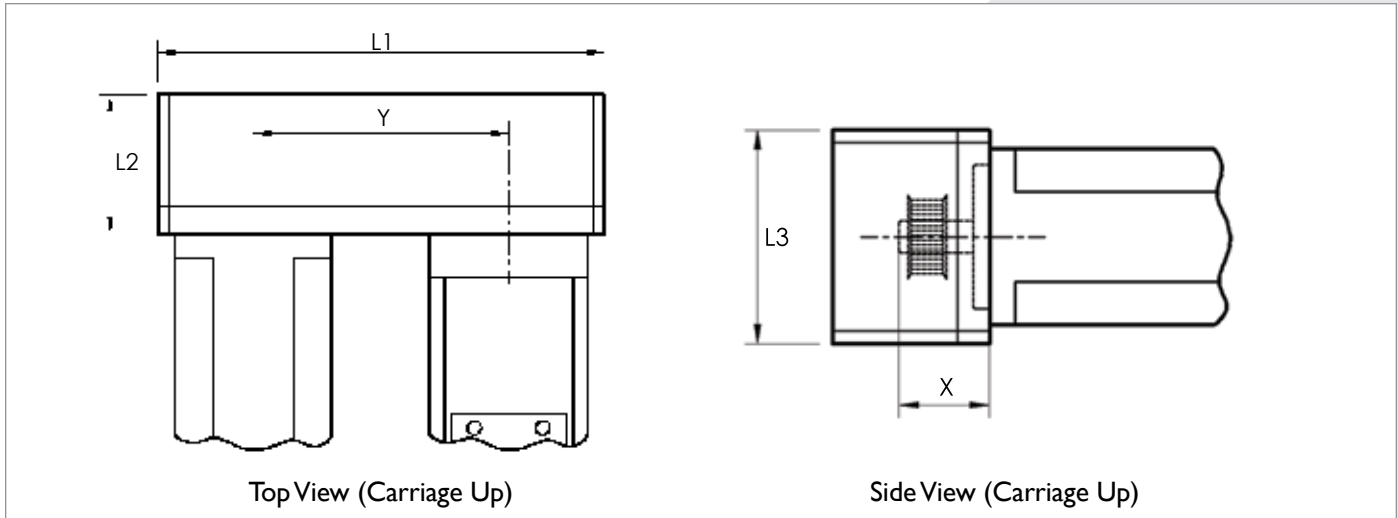
Toll Free Phone (877) SERV098

Toll Free Fax (877) SERV099

81 [www.electromate.com](http://www.electromate.com)

[sales@electromate.com](mailto:sales@electromate.com)

# ▶ LINEAR MOUNT: PARALLEL MOUNT KIT



Size	Maximum Output Torque Nm (in-lbs)	Shaft Diameter Range mm (in)		X Maximum Shaft Length mm (in)	Y Center to Center mm (in)	Maximum Motor Bolt Circle mm (in)	L1 mm (in)	L2 mm (in)	L3 mm (in)	Maximum Speed rpm	Pulley Ratio	Recommended Belt Pull** N (lb)
31	2.4 (21.2)	5 (0.197)	14 (0.551)	55 (2.165)	126 (4.961)	75 (2.953)	215 (8.465)	66 (2.598)	76.2 (3.000)	6000	1:1	70 (15.7)
41	7 (62.0)	8 (0.315)	22 (0.866)	70 (2.756)	180 (7.087)	100 (3.937)	290 (11.417)	85 (3.346)	101.6 (4.000)	6000	1:1	332 (74.6)
51	23 (203.6)	10 (0.394)	25.4 (1.000)	80 (3.150)	248 (9.764)	130 (5.118)	390 (15.354)	98 (3.858)	127 (5.000)	6000	1:1	452 (101.6)
61	46 (407.1)	14 (0.551)	38.1 (1.500)	90 (3.543)	280 (11.024)	165 (6.496)	450 (17.716)	111 (4.370)	152.4 (6.000)	6000	1:1	764 (171.8)

**Notice**

\*The PMK adapter plate may not be flush with the bottom of the motor or actuator. If this is an issue, please contact GAM.

\*\*Belt pull required to tension the pulley assembly may exceed radial load capacity of the actuator and must be considered when selecting a PMK. Contact GAM for a bearing support option.

**TYPE CODES FOR PMK SERIES**

**Example: PMK31C-1234**

**PMK Size**

- 3 = 3" Frame
- 4 = 4" Frame
- 5 = 5" Frame
- 6 = 6" Frame

**Pulley Torque Option**

1

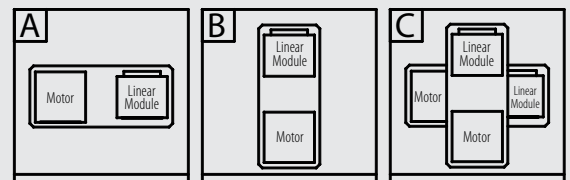
**Series Number**

Assigned by GAM after Initial Order

**Pulley Ratio/Orientation**

- A = 1:1 Horizontal
- B = 1:1 Vertical
- C = 1:1 Universal

**Mounting Orientation Options**



\*Universal Mounting Orientation "C" is standard unless unavailable.

\*Note: View is normal to input of PMK (Carriage up)

Sold & Serviced By:



Toll Free Phone (877) SERV098

Toll Free Fax (877) SERV099

www.electromate.com

sales@electromate.com