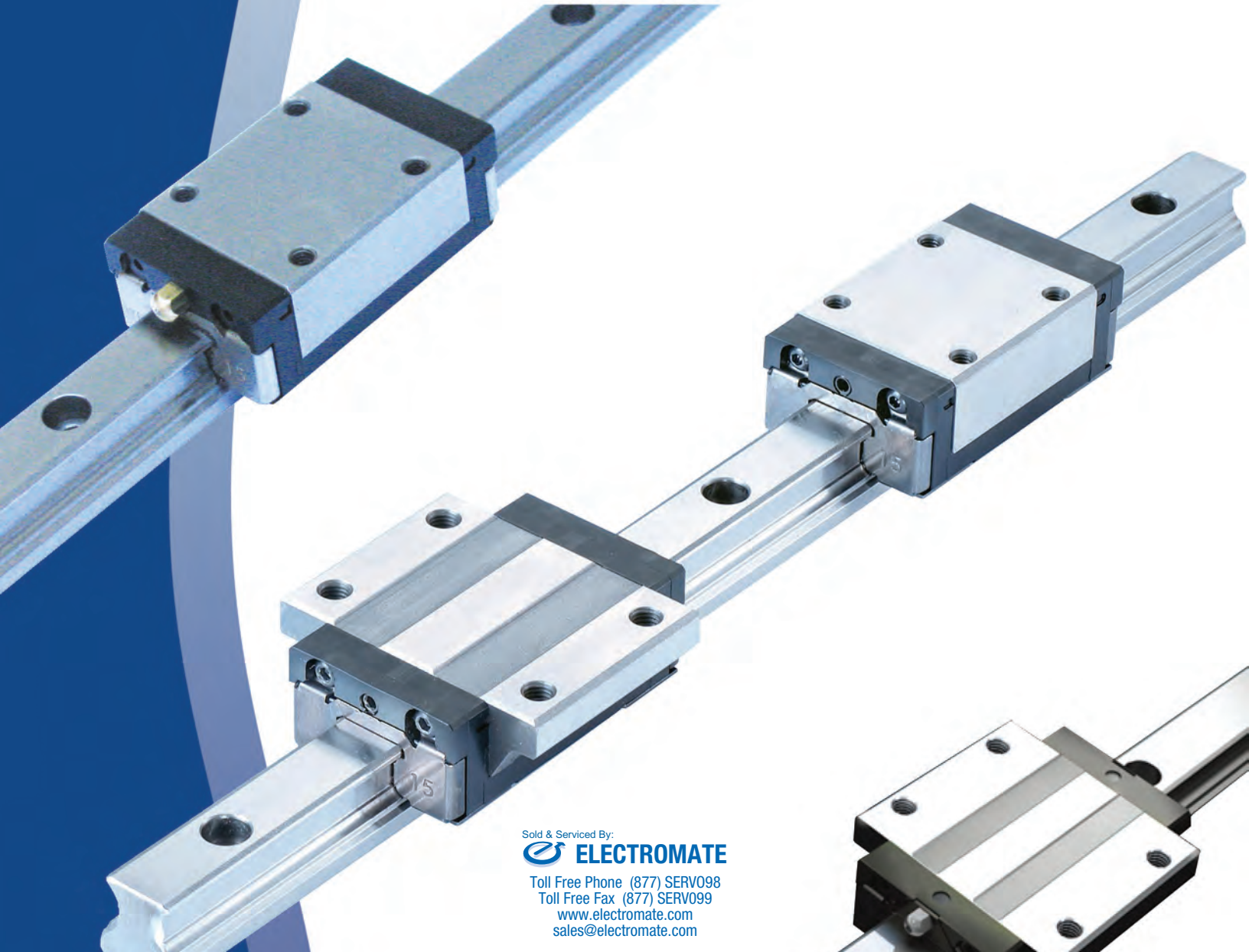


LINTECH[®]

Ball Type Profile Rails



Sold & Serviced By:
 **ELECTROMATE**
Toll Free Phone (877) SERV098
Toll Free Fax (877) SERV099
www.electromate.com
sales@electromate.com

Welcome to *LINTECH*®



For over 43 years *LINTECH* has designed, engineered, and manufactured linear positioning components for use in a wide range of applications. Whether it is a standard positioning component or a custom positioning assembly, *LINTECH* takes great pride in manufacturing a quality product.

At *LINTECH* we are proud to provide the motion control user with this product guide. It was developed to assist you with the design, selection, and implementation of mechanical positioning components.

Depending on the requirements, standard positioning components, or systems, can often be assembled and shipped in less than 2 weeks. Custom positioning assemblies require a different approach. We evaluate your special application, use our many years of experience to guide you, and then manufacture a quality product designed to meet your performance specifications.

LINTECH's technical support consists of a well trained inside customer service department, an experienced application engineering staff, and a versatile machining facility.

Our local technical support group consists of Automation Specialists located throughout the World. These Automation Specialists are experienced in the use of electronic and mechanical motion control products. They are well trained on the performance capabilities of *LINTECH* positioning components.

LINTECH is constantly designing new products and improving upon the many options available with our standard products. Whether it is a standard or custom positioning system required, visit our website, call, or e-mail us. We look forward to hearing from you.

Visit our website, or call us for the location of the nearest Automation Specialist in your area:

LINTECH®

1845 Enterprise Way
Monrovia, CA. 91016

Toll Free: (800) 435 - 7494

Phone: (626) 358 - 0110

Fax: (626) 303 - 2035

Web Site: www.LintechMotion.com

E-Mail: Lintech@LintechMotion.com



Sold & Serviced By:


Toll Free Phone (877) SERV098

Toll Free Fax (877) SERV099

www.electromate.com

sales@electromate.com

Table of Contents

	Pages
ARC series	2 to 5
<hr/>	
HRC series	6 to 9

Sold & Serviced By:

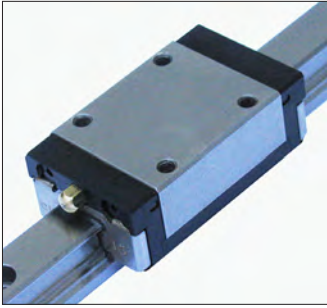


Toll Free Phone (877) SERV098

Toll Free Fax (877) SERV099

www.electromate.com

sales@electromate.com



- * Application Rail
- * 4 rows of re-circulating balls
- * Equal loading in all directions
- * Dust proof design
- * Alloy steel bearing, rail, and balls
- * Self lube reservoir *optional*

ARC 15 M N S Z C V1 H - 2 - 1260 - 30 - 30

Series Type

ARC - Application profile rail

Profile Size

- 15** - 15 mm **30** - 30 mm
- 20** - 20 mm **35** - 35 mm
- 25** - 25 mm **45** - 45 mm

Block Width

- M** - Standard **F** - Flanged

Block Length

- S** - Short **N** - Standard **L** - Long

Block Seals

- B** - Standard **S** - Reinforced

Block Lube

- none **Z** - Lubrication Pad

Block Bearings

- standard **C** - Ball Chain

Preload Class

- V0** - Light **V1** - Medium **V2** - Heavy

Accuracy Grade

- N** - Normal **H** - High **P** - Precision

Number of Blocks

- 2** - Number of blocks on each rail

Rail Length

xxxx - Overall rail length (mm)

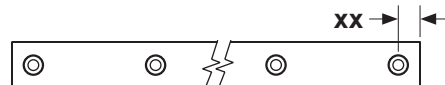
Start Hole

xx - Distance from end (mm)

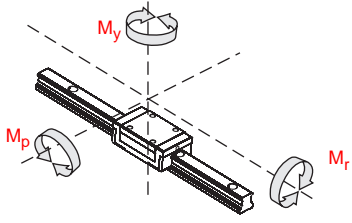


End Hole

xx - Distance from end (mm)



Load Capacities - ARC series

Model Number	Dynamic Load Capacity C_{50} (kN @ 50 km)	Static Load Capacity C_0 (kN)	Static Roll Moment M_r (Nm)	Static Roll Moment M_p (Nm)	Static Roll Moment M_y (Nm)	
ARC 15 MS ARC 15 FS	9.7	12.1	100	50	50	
ARC 15 MN ARC 15 FN	12.5	17.5	140	105	105	
ARC 20 MS ARC 20 FS	15.7	19.3	205	100	100	
ARC 15 ML	16.9	26.9	215	235	235	
ARC 20 MN ARC 20 FN	21.5	30.0	325	230	230	
ARC 25 MS ARC 25 FS	22.9	27.3	350	160	160	
ARC 20 ML	25.7	38.5	415	390	390	
ARC 25 MN ARC 25 FN	31.2	42.5	540	385	385	
ARC 30 MS ARC 30 FS	29.3	33.1	520	230	230	
ARC 30 MN ARC 30 FN	41.3	53.7	845	565	565	
ARC 30 ML	49.9	70.2	1105	950	950	
ARC 35 MN ARC 35 FN	57.8	82.9	1700	1080	1080	
ARC 35 ML	68.9	106.5	2185	1755	1755	
ARC 45 MN	89.8	122.1	3200	1910	1910	
ARC 45 ML	112.8	169.1	4430	3460	3460	

Sold & Serviced By:

 **ELECTROMATE**

Toll Free Phone (877) SERV098

Toll Free Fax (877) SERV099

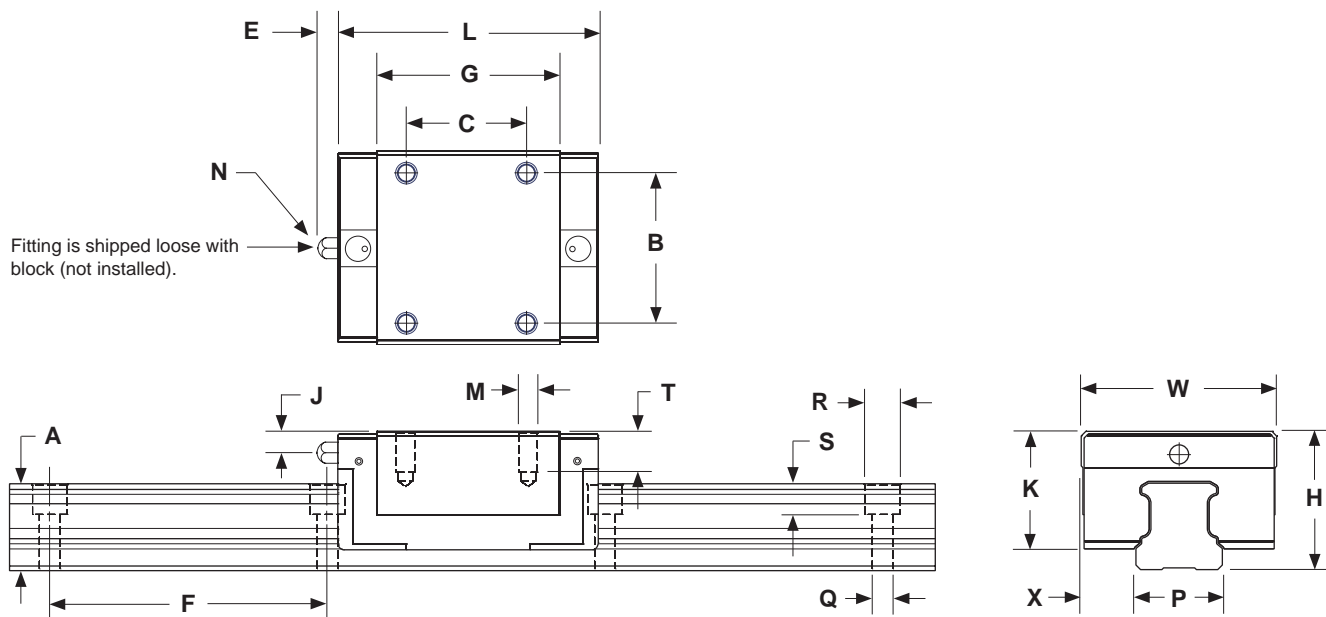
www.electromate.com

sales@electromate.com

Specifications subject to change without notice

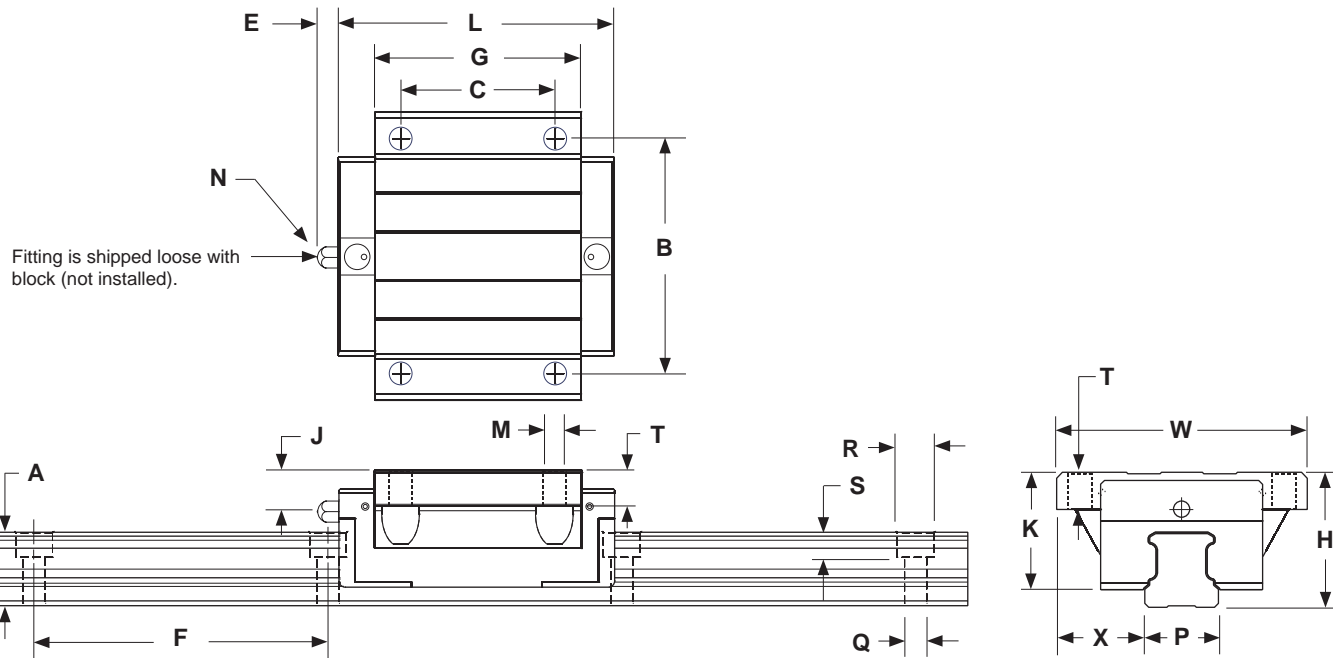
Dimensions & Specifications

Model Number	Outline (mm)			Block Dimensions (mm)								Rail Dimensions (mm)						Weight	
	Height H	Width W	Length L	B	C	M x T	K	G	N	J	E	P	X	A	F	Q x R x S	Block (kg)	Rail (kg/m)	
ARC 15 MS			41.2		-			26.0									0.11		
ARC 15 MN	24	34	55.5	26	26	M4 x 7	20.7	40.3	M3 x 6.5	4.5	3.5	15	9.5	15	60	4.5 x 7.5 x 5.3	0.16	1.29	
ARC 15 ML			76.2		34			61.0									0.24		
ARC 20 MS			49.2		-			32.2									0.17		
ARC 20 MN	28	42	69.0	32	32	M5 x 7	23.0	52.0	M3 x 7.5	4	10	20	11	20	60	6 x 9.5 x 8.5	0.27	2.28	
ARC 20 ML			87.2		45			70.2									0.33		
ARC 25 MS			57.4		-			38.4									0.30		
ARC 25 MN	33	48	81.2	35	35	M6 x 9	27.0	62.2	M6 x 7.5	5	12	23	12.5	23	60	7 x 11 x 9	0.42	3.02	
ARC 30 MS			68.0		-			44.0									0.56		
ARC 30 MN	42	60	95.5	40	40	M8 x 10	35.2	71.5	M6 x 8.5	7.5	12	28	16	27	80	9 x 14 x 12	0.80	4.38	
ARC 30 ML			118.0		60			94.0									1.14		
ARC 35 MN			111.2		50			86.2									1.12		
ARC 35 ML	48	70	136.6	50	72	M8 x 13	40.4	111.6	M6 x 10	8	12	34	18	32	80	9 x 14 x 12	1.54	6.79	
ARC 45 MN			135.5		60			102.5									2.12		
ARC 45 ML	60	86	171.5	60	80	M10 x 17	50.7	138.5	PT1/8 x 12.5	11.1	14	45	20.5	39	105	14 x 20 x 17	3.16	10.53	



Dimensions & Specifications

Model Number	Outline (mm)			Block Dimensions (mm)								Rail Dimensions (mm)					Weight	
	Height H	Width W	Length L	B	C	M x T	K	G	N	J	E	P	X	A	F	Q x R x S	Block (kg)	Rail (kg/m)
ARC 15 FS ARC 15 FN	24	52	41.2 55.5	41	- 26	M5 x 7	20.7	26.0 40.3	M3 x 6.5	4.5	3.5	15	18.5	15	60	4.5 x 7.5 x 5.3	0.12 0.18	1.29
ARC 20 FS ARC 20 FN	28	59	49.2 69.0	49	- 32	M6 x 10	23.0	32.2 52.0	M3 x 7.5	4	10	20	19.5	20	60	6 x 9.5 x 8.5	0.21 0.34	2.28
ARC 25 FS ARC 25 FN	33	73	57.4 81.2	60	- 35	M8 x 12	27.0	38.4 62.2	M6 x 7.5	5	12	23	25	23	60	7 x 11 x 9	0.35 0.53	3.02
ARC 30 FS ARC 30 FN	42	90	68.0 95.5	72	- 40	M10 x 15	35.2	44.0 71.5	M6 x 8.5	7.5	12	28	31	27	80	9 x 14 x 12	0.75 1.20	4.38
ARC 35 FN	48	100	111.2	82	50	M10 x 15	40.2	86.2	M6 x 10	8	12	34	33	32	80	9 x 14 x 12	1.58	6.79





- * Heavy Load Rail
- * 4 rows of re-circulating balls
- * Equal loading in all directions
- * Dust proof design
- * Alloy steel bearing, rail, and balls
- * Self lube reservoir *optional*

HRC 15 M N S Z C V1 H - 2 - 1260 - 30 - 30

Series Type

HRC - Heavy load profile rail

Profile Size

- 15 - 15 mm
- 30 - 30 mm
- 20 - 20 mm
- 35 - 35 mm
- 25 - 25 mm
- 45 - 45 mm

Block Width

M - Standard **F** - Flanged

Block Length

N - Standard **L** - Long

Block Seals

B - Standard **S** - Reinforced

Block Lube

- none **Z** - Lubrication Pad

Block Bearings

- standard **C** - Ball Chain

Preload Class

V0 - Light **V1** - Medium **V2** - Heavy

Accuracy Grade

N - Normal **H** - High **P** - Precision

Number of Blocks

2 - Number of blocks on each rail

Rail Length

xxxx - Overall rail length (mm)

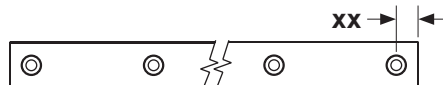
Start Hole

xx - Distance from end (mm)

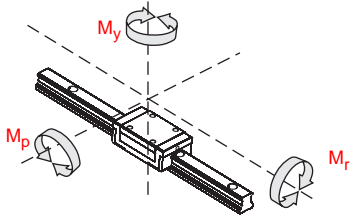


End Hole

xx - Distance from end (mm)



Load Capacities - HRC series

Model Number	Dynamic Load Capacity C_{50} (kN @ 50 km)	Static Load Capacity C_0 (kN)	Static Roll Moment M_r (Nm)	Static Roll Moment M_p (Nm)	Static Roll Moment M_y (Nm)	
HRC 15 MN HRC 15 FN	12.5	17.5	140	105	105	
HRC 20 MN HRC 20 FN	21.5	30.0	325	230	230	
HRC 20 ML HRC 20 FL	25.7	38.5	415	390	390	
HRC 25 MN HRC 25 FN	31.2	42.5	540	385	385	
HRC 25 ML HRC 25 FL	38.7	57.7	735	710	710	
HRC 30 MN HRC 30 FN	41.3	53.7	845	565	565	
HRC 30 ML HRC 30 FL	49.9	70.2	1105	950	950	
HRC 35 MN HRC 35 FN	57.8	82.9	1700	1080	1080	
HRC 35 ML HRC 35 FL	68.9	106.5	2185	1755	1755	
HRC 45 MN HRC 45 FN	89.8	122.1	3200	1910	1910	
HRC 45 ML HRC 45 FL	112.8	169.1	4430	3460	3460	

Sold & Serviced By:

 **ELECTROMATE**

Toll Free Phone (877) SERV098

Toll Free Fax (877) SERV099

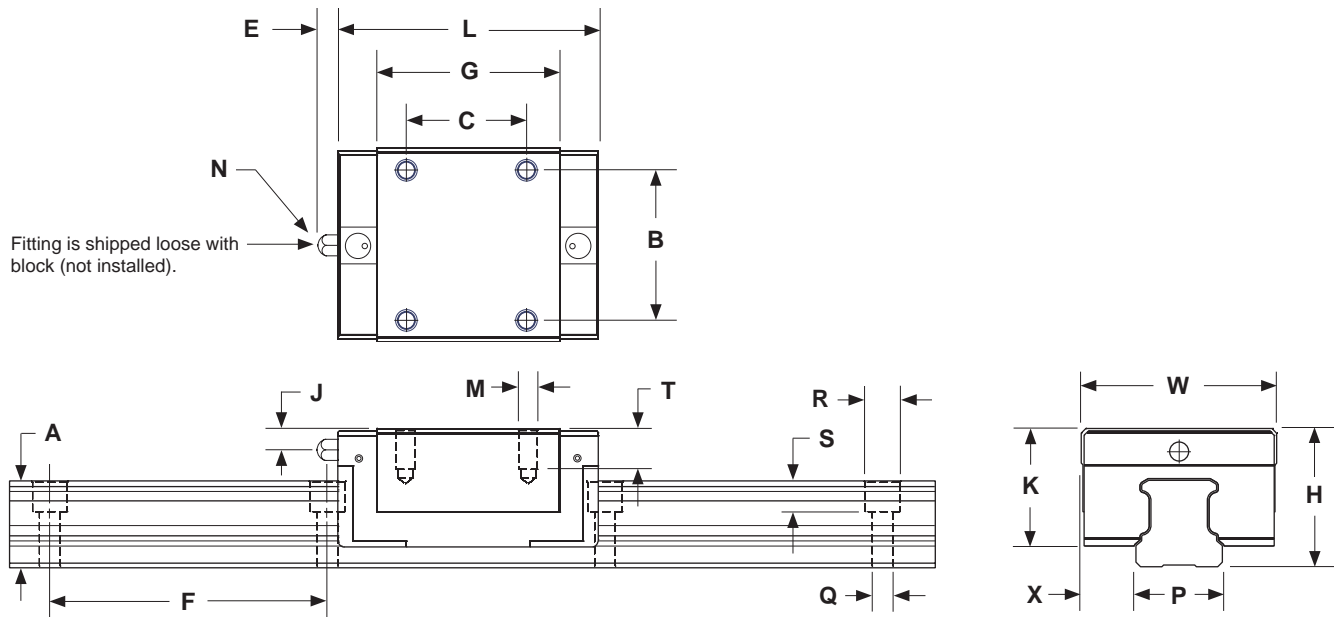
www.electromate.com

sales@electromate.com

Specifications subject to change without notice

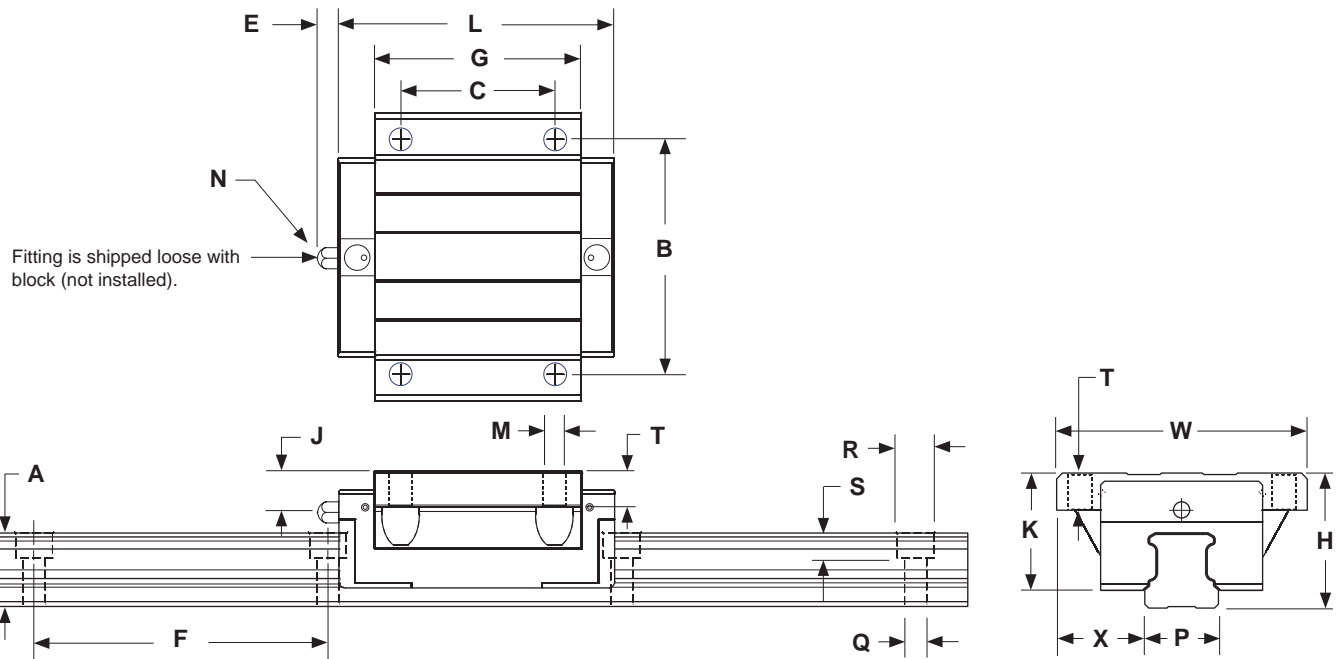
Dimensions & Specifications

Model Number	Outline (mm)			Block Dimensions (mm)								Rail Dimensions (mm)						Weight	
	Height H	Width W	Length L	B	C	M x T	K	G	N	J	E	P	X	A	F	Q x R x S	Block (kg)	Rail (kg/m)	
HRC 15 MN	28	34	55.5	26	26	M4 x 7	24.7	40.3	M3 x 6.5	8.5	3.5	15	9.5	15	60	4.5 x 7.5 x 5.3	0.18	1.29	
HRC 20 MN HRC 20 ML	30	44	69.0 87.2	32	36 50	M5 x 8.5	25.0	52.0 70.2	M3 x 7.5	6	10	20	12	20	60	6 x 9.5 x 8.5	0.32 0.40	2.28	
HRC 25 MN HRC 25 ML	40	48	81.2 105.0	35	35 50	M6 x 9	34.0	62.2 86.0	M6 x 7.5	12	12	23	12.5	23	60	7 x 11 x 9	0.58 0.69	3.02	
HRC 30 MN HRC 30 ML	45	60	95.5 118.0	40	40 60	M8 x 12	38.4	71.5 94.0	M6 x 8.5	10.5	12	28	16	27	80	9 x 14 x 12	0.90 1.15	4.38	
HRC 35 MN HRC 35 ML	55	70	111.2 136.6	50	50 72	M8 x 13	47.4	86.2 111.6	M6 x 10	15	12	34	18	32	80	9 x 14 x 12	1.43 1.95	6.79	
HRC 45 MN HRC 45 ML	70	86	135.5 171.5	60	60 80	M10 x 20	60.7	102.5 138.5	PT1/8 x 12.5	21.1	14	45	20.5	39	105	14 x 20 x 17	2.79 4.06	10.53	



Dimensions & Specifications

Model Number	Outline (mm)			Block Dimensions (mm)								Rail Dimensions (mm)						Weight	
	Height H	Width W	Length L	B	C	M x T	K	G	N	J	E	P	X	A	F	Q x R x S	Block (kg)	Rail (kg/m)	
HRC 15 FN	24	47	55.5	38	30	M5 x 7	20.7	40.3	M3 x 6.5	4.5	3.5	15	16	15	60	4.5 x 7.5 x 5.3	0.18	1.29	
HRC 20 FN HRC 20 FL	30	63	69.0 87.2	53	40	M6 x 10	25.0	52.0 70.2	M3 x 7.5	6	10	20	21.5	20	60	6 x 9.5 x 8.5	0.40 0.51	2.28	
HRC 25 FN HRC 25 FL	36	70	81.2 105.0	57	45	M8 x 12	30.0	62.2 86.0	M6 x 7.5	8	12	23	23.5	23	60	7 x 11 x 9	0.63 0.87	3.02	
HRC 30 FN HRC 30 FL	42	90	95.5 118.0	72	52	M10 x 15	35.2	71.5 94.0	M6 x 8.5	7.5	12	28	31	27	80	9 x 14 x 12	1.11 1.39	4.38	
HRC 35 FN HRC 35 FL	48	100	111.2 136.6	82	62	M10 x 15	40.4	86.2 111.6	M6 x 10	8	12	34	33	32	80	9 x 14 x 12	1.55 2.00	6.79	
HRC 45 FN HRC 45 FL	60	120	135.5 171.5	100	80	M12 x 18	50.7	102.5 138.5	PT1/8 x 12.5	11.1	14	45	37.5	39	105	14 x 20 x 17	2.75 4.28	10.53	



Unit Conversions

Torque Conversions

Present Units	Convert To	Multiply By
Gram-centimeters	newton-meters -----	0.0000981
Gram-centimeters	ounce-inches -----	0.0138874
Gram-centimeters	pound-inches -----	0.000868
Gram-centimeters	pound-feet -----	0.0000723
Newton-meters	gram-centimeters ----	10,197.162
Newton-meters	ounce-inches -----	141.612
Newton-meters	pound-inches -----	8.85
Newton-meters	pound-feet -----	0.73756
Ounce-inches	gram-centimeters ----	72.0077
Ounce-inches	newton-meters -----	0.007062
Ounce-inches	pound-inches -----	0.0625
Ounce-inches	pound-feet -----	0.005208
Pound-inches	gram-centimeters ----	1,152.0
Pound-inches	newton-meters -----	0.11299
Pound-inches	ounce-inches -----	16.0
Pound-inches	pound-feet -----	0.08333
Pound-feet	gram-centimeters ----	13,825.5
Pound-feet	newton-meters -----	1.3558
Pound-feet	ounce-inches -----	192.0
Pound-feet	pound-inches -----	12.0

Distance Conversions

Present Units	Convert To	Multiply By
Arc-minutes	degrees -----	0.016666
Arc-seconds	degrees -----	0.000277
Centimeters	inches -----	0.3937
Centimeters	feet -----	0.03280
Centimeters	microns -----	10,000.0
Degrees	arc-minutes ----	60.0
Degrees	arc-seconds ----	3,600.0
Degrees	radians -----	0.017453
Feet	centimeters -----	30.48
Feet	meters -----	0.3048
Inches	centimeters ----	2.54
Inches	Km -----	0.0000254
Inches	meters -----	0.0254
Inches	microns -----	25,400.0
Inches	millimeters ----	25.4
Km	inches -----	39,370.0
Meters	feet -----	3.2808
Meters	inches -----	39.37
Meters	microns -----	1,000,000.0
Microns	centimeters ----	0.0001
Microns	inches -----	0.00003937
Microns	meters -----	0.000001
Microns	millimeters ----	0.001
Millimeters	inches -----	0.03937
Millimeters	microns -----	1,000.0
Radians	degrees -----	57.295779

Inertia Conversions

Present Units	Convert To	Multiply By
Gram-cm ²	ounce-inches ² ----	0.00546745
Gram-cm ²	ounce-inch-sec ² --	0.000014161
Gram-cm ²	pound-inches ² ----	0.000341716
Gram-cm ²	pound-inch-sec ² --	0.000000885
Gram-cm ²	pound-feet-sec ² --	0.000000074
Ounce-inches ²	gram-cm ² -----	182.901
Ounce-inches ²	ounce-inch-sec ² --	0.00259008
Ounce-inches ²	pound-inches ² ----	0.0625
Ounce-inches ²	pound-inch-sec ² --	0.00016188
Ounce-inches ²	pound-feet-sec ² --	0.00001349
Ounce-inch-sec ²	gram-cm ² -----	70,615.4
Ounce-inch-sec ²	ounce-inches ² ----	386.0
Ounce-inch-sec ²	pound-inches ² ----	24.13045
Ounce-inch-sec ²	pound-inch-sec ² --	0.0625
Ounce-inch-sec ²	pound-feet-sec ² --	0.00520833
Pound-inches ²	gram-cm ² -----	2,926.41
Pound-inches ²	ounce-inches ² ----	16.0
Pound-inches ²	ounce-inch-sec ² --	0.0414413
Pound-inches ²	pound-inch-sec ² --	0.00259008
Pound-inches ²	pound-feet-sec ² --	0.00021584
Pound-inch-sec ²	gram-cm ² -----	1,129,850.0
Pound-inch-sec ²	ounce-inches ² ----	6,177.4
Pound-inch-sec ²	ounce-inch-sec ² --	16.0
Pound-inch-sec ²	pound-inches ² ----	386.0
Pound-inch-sec ²	pound-feet-sec ² --	0.0833333
Pound-feet-sec ²	gram-cm ² -----	13,558,200.0
Pound-feet-sec ²	ounce-inches ² ---	74,128.9
Pound-feet-sec ²	ounce-inch-sec ² --	192.0
Pound-feet-sec ²	pound-inches ² ---	4,633.06
Pound-feet-sec ²	pound-inch-sec ² -	12.0

Load Conversions

Present Units	Convert To	Multiply By
Grams	newtons -----	0.009806
Grams	ounces -----	0.03528
Grams	pounds -----	0.002204
Kilograms	pounds -----	2.2046
Newtons	grams -----	101.971
Newtons	ounces -----	3.59692
Newtons	pounds -----	0.224808
Ounces	grams -----	28.3495
Ounces	newtons -----	0.27802
Ounces	pounds -----	0.0625
Pounds	grams -----	453.592
Pounds	kilograms -----	0.45359
Pounds	newtons -----	4.44824
Pounds	ounces -----	16.0
Pounds	tons -----	0.0005
Tons	pounds -----	2,000.0