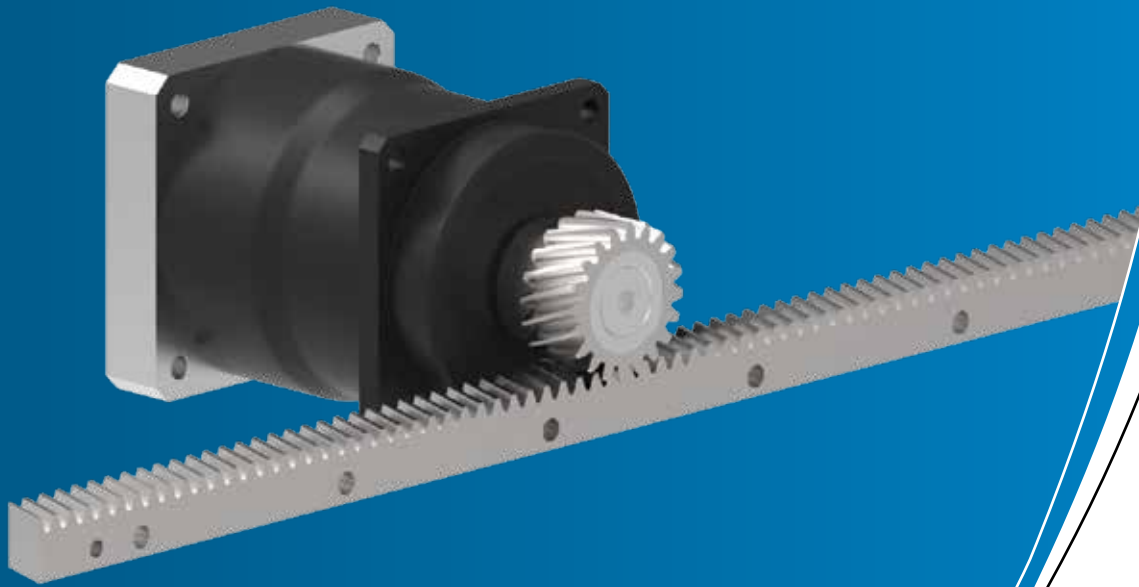


GAM Rack & Pinion



Sold & Serviced By:

 **ELECTROMATE**

Toll Free Phone (877) SERV098
www.electromate.com
sales@electromate.com



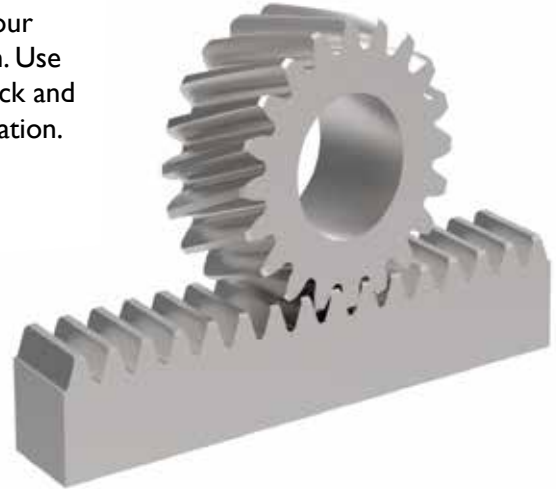
▶ GAM RACK & PINION

GAM Rack & Pinion

The **GAM Helical Rack and Pinion** series, along with our broad gearbox offering, provide a complete linear solution. Use our motion control engineering expertise to select the rack and pinion and match it with the right gearbox for your application.

- High precision helical rack for smooth, quiet operation
- Precision pinions easily mount to GAM gearboxes
- Pinion can be pre-mounted to the gearbox
- Racks and pinions are matched to GAM gearboxes for easy selection
- GAM engineering expertise to select the best solution for your application

Whether you need components or a complete package, GAM has the rack and pinion solution for your application.



What is Rack & Pinion?

A linear actuator that converts the rotary motion of the (circular) pinion to linear motion at the (linear) rack.

Why use a Rack & Pinion System?

A rack and pinion system is the most cost-effective way for linear movements greater than 2 meters.

Why use a GAM Rack & Pinion System?

GAM matches the high quality rack and pinion with the best precision gearboxes for your application.

Applications

ISO Quality	Module	Tooth Thickness Tolerance (μm)	Application Examples
6	2.0 - 4.0	-20 ~ 0	<ul style="list-style-type: none"> • Wood, Plastic, Composite, Aluminium Working Machines • Machine Tools, Integratable Racks, Water Cutting Machines, Tube Bending Systems, Plasma Cutting Machines, Laser Cutting Machines
10	2.0 - 4.0	-90 ~ 0	<ul style="list-style-type: none"> • Lifting Axis, Handling, Welding Robots

Sold & Serviced By:



Toll Free Phone (877) SERV098
www.electromate.com
sales@electromate.com

▶ RACK & PINION SYSTEMS



GAM Rack & Pinion Systems

Pair GAM gearboxes with our rack and pinion for a complete linear motion control system.

- Pinions are hardened and work with either ISO 6 or 10 hardened rack
- Optional mounting tool and felt gear (for lubrication) available



Inline Systems



SPH-SP / PHGH-S



SPH-FP / PHGH-W



EPL-AP / PHGH-K



EPL-FP / PHGH-B

Right Angle Systems



DS-FP / PHGH-W



DS-HP / PHGH-D



EPR-WP / PHGH-W



EPR-FP / PHGH-B

Inline Gearbox	Pinion*	Module	Number of Teeth	Maximum Speed ** (m/min)	Feed Force† (kN)
SPH-SP-060	PHGH-20-15-S16-06	2	15	200	3.2
SPH-SP-075	PHGH-20-18-S22-06	2	18	240	4.2
SPH-SP-100	PHGH-20-23-S32-06	2	23	307	6.4
SPH-SP-140	PHGH-30-20-S40-06	3	20	400	10.7
SPH-SP-180	PHGH-40-20-S55-06	4	20	533	24.5
SPH-FP-075	PHGH-20-16-W50-06	2	16	213	4.2
SPH-FP-100	PHGH-20-19-W63-06	2	19	253	6.4
SPH-FP-140	PHGH-30-16-W80-06	3	16	320	14.7
EPL-AP-070	PHGH-20-18-K16-06	2	18	240	1.9
EPL-AP-090	PHGH-20-20-K22-06	2	20	267	2.8
EPL-AP-120	PHGH-20-30-K32-06	2	30	333	4.6
EPL-AP-155	PHGH-30-22-K40-06	3	22	330	12.4
EPL-FP-064	PHGH-20-26-B31.5-06	2	26	347	1.2
EPL-FP-090	PHGH-20-33-B50-06	2	33	440	2.7
EPL-FP-110	PHGH-20-40-B63-06	2	40	444	4.5
EPL-FP-140	PHGH-30-16-W80-06	3	16	240	10.5

Right Angle Gearbox	Pinion*	Module	Number of Teeth	Maximum Speed ** (m/min)	Feed Force† (kN)
DS-FP-055	PHGH-20-16-W50-06	2	16	284	2.9
DS-FP-075	PHGH-20-16-W50-06	2	16	284	5.8
DS-FP-090	PHGH-20-19-W63-06	2	19	296	9.6
DS-FP-115	PHGH-30-16-W80-06	3	16	320	13.3
DS-FP-140	PHGH-30-19-W80-06	3	19	317	18
DS-FP-190	PHGH-40-20-W125-06	4	20	400	30.1
DS-HP-055	PHGH-20-15-D20-06	2	15	267	3.1
DS-HP-075	PHGH-20-18-D25-06	2	18	320	5.2
DS-HP-090	PHGH-20-23-D30-06	2	23	358	8.1
DS-HP-115	PHGH-30-20-D40-06	3	20	400	11.6
DS-HP-140	PHGH-40-20-D55-06	4	20	444	20
DS-HP-190	PHGH-40-20-D70-06	4	20	400	30.1
EPR-AP-070	PHGH-20-18-K16-06	2	18	240	1.8
EPR-AP-090	PHGH-20-20-K22-06	2	20	267	2.7
EPR-AP-120	PHGH-20-30-K32-06	2	30	333	4.6
EPR-AP-155††	PHGH-30-22-K40-06	3	22	330	12.4
EPR-FP-064	PHGH-20-26-B31.5-06	2	26	347	1.2
EPR-FP-090	PHGH-20-33-B50-06	2	33	440	2.4
EPR-FP-110	PHGH-20-40-B63-06	2	40	444	4
EPR-FP-140††	PHGH-30-16-W80-06	3	16	240	10.5

* See pages 8-12 for pinion information

** 3:1 ratio with maximum input speed

† At 1 m/s, may vary based on speed and ratio

†† Contact GAM for availability



▶ GHGH SERIES HELICAL RACK (QUALITY Q6)

Type Code

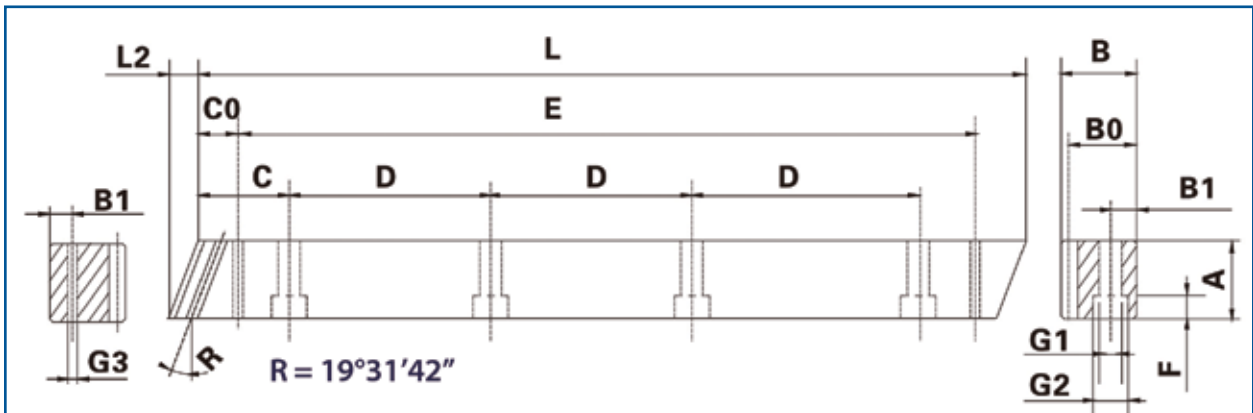
Rack Series	Module	Length	Precision Grade
GHGH	- 20	- 10	- 06
Helical Teeth	20 = Mod 2	10 = 1 m (standard)	ISO 6
Right Hand Helix	30 = Mod 3		
Ground	40 = Mod 4		
Induction Hardened			

Specifications

Quality	ISO Q6	Hardness	50 - 55 HRC
Helix Angle	Right Hand 19° 31' 42"	Teeth Finish	Ground
Pressure Angle	20°	Side/End Finish	Ground
Material	1045	Heat Treatment	Induction Hardened

Tolerance

	Module	2.0	3.0	4.0
Tooth Thickness Tolerance (µm)		-20	-10	-20
Single Pitch Error (µm)		≤8	≤9	≤10
Total Pitch Error (µm)		≤36	≤36	≤36



Dimensions

Type Code	Module	No. of Teeth	L	L2	A	B	B0	C	D	No of Holes	B1	G1	G2	F	C0	E	G3
GHGH-20-10-06	2	150	1000	8.5	24	24	22	62.5	125	8	8	7	11	7	31.7	936.60	5.7
GHGH-30-10-06	3	100	1000	10.3	29	29	26	62.5	125	8	9	10	15	9	35	930.00	7.7
GHGH-40-10-06	4	75	1000	13.8	39	39	35	62.5	125	8	12	10	15	9	33.3	933.4	7.7

Sold & Serviced By:



Toll Free Phone (877) SERV098

www.electromate.com

sales@electromate.com

▶ GHFH SERIES HELICAL RACK (QUALITY Q10)



Type Code

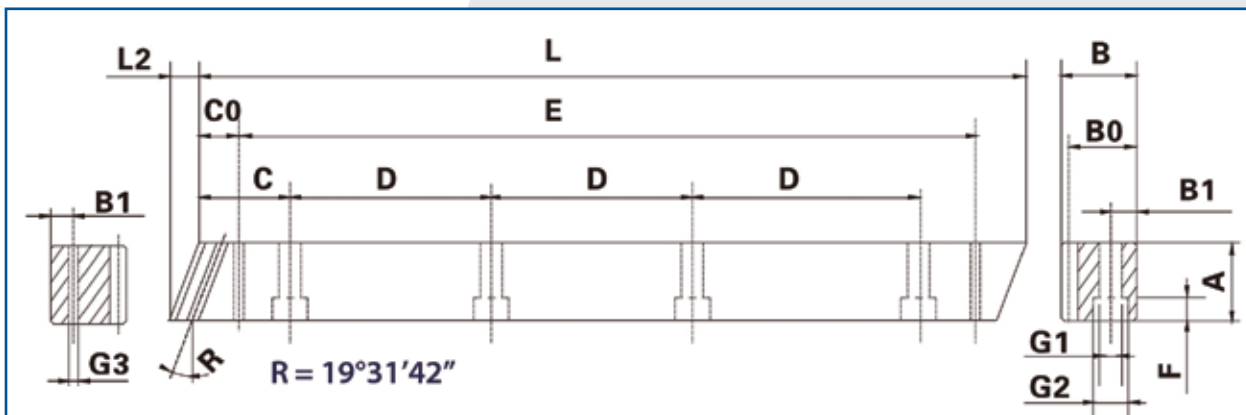
Rack Series	Module	Length	Precision Grade
GHFH	- 20	- 10	- 10
Helical Teeth	20 = Mod 2	10 = 1 m (standard)	ISO 10
Right Hand Helix	30 = Mod 3		
Finish Milled	40 = Mod 4		
Induction Hardened			

Specifications

Quality	ISO Q10	Hardness	50 - 55 HRC
Helix Angle	Right Hand 19° 31' 42"	Teeth Finish	Finish Milled
Pressure Angle	20°	Side/End Finish	Finish Milled
Material	1045	Heat Treatment	Induction Hardened

Tolerance

	Module	2.0	3.0	4.0
Tooth Thickness Tolerance (µm)		-124	-124	-124
Single Pitch Error (µm)		≤37	≤39	≤43
Total Pitch Error (µm)		≤148	≤162	≤175



Dimensions

Type Code	Module	No. of Teeth	L	L2	A	B	B0	C	D	No of Holes	B1	G1	G2	F	C0	E	G3
GHFH-20-10-10	2	150	1000	8.5	24	24	22	62.5	125	8	8	7	11	7	31.7	936.60	5.7
GHFH-30-10-10	3	100	1000	10.3	29	29	26	62.5	125	8	9	10	15	9	35	930.00	7.7
GHFH-40-10-10	4	75	1000	13.8	39	39	35	62.5	125	8	12	10	15	9	33.3	933.4	7.7



▶ RACK INSTALLATION

Rack Installation

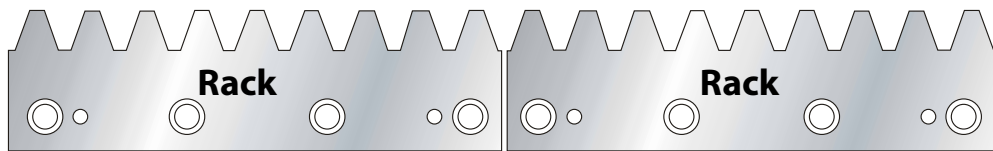
These are the three main steps to installing GAM rack. See the *GAM Rack Installation Instructions* for more detailed installation information. Installation of multiple rack pieces end-to-end requires an opposite tooth installation gauge:

GAM Helical Tooth Installation Gauge

Module	2.0	3.0	4.0
Type Code	GHGH-20-02-Gauge	GHGH-30-02-Gauge	GHGH-40-02-Gauge
Part Number	74030001	74030002	74030003
Dimensions HxWxL (mm)	24 x 24 x 200	29 x 29 x 200	39 x 39 x 200

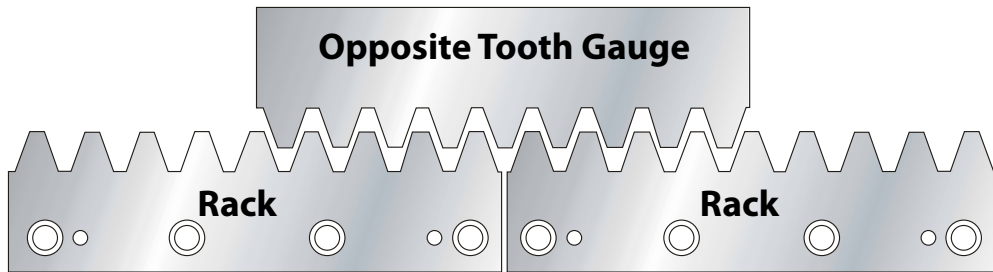
Step 1

Put the racks on the base, end to end, without the screw



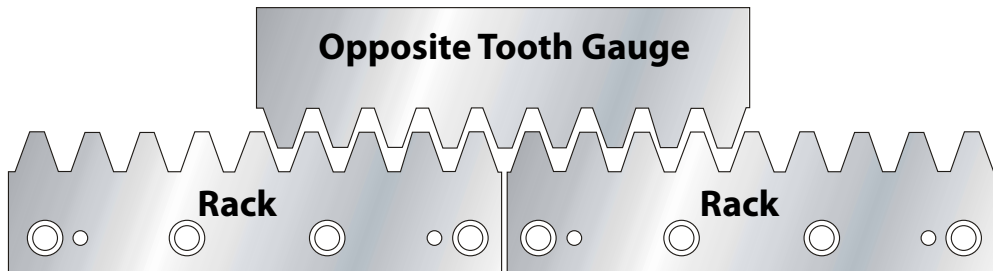
Step 2

Put the Rack Gauge across the ends of the joined racks and adjust the pitch. The ends of the racks each form half a tooth.



Step 3

Bolt the racks to the base in sequence. Install dowel pins.



Sold & Serviced By:



Toll Free Phone (877) SERV098
www.electromate.com
sales@electromate.com

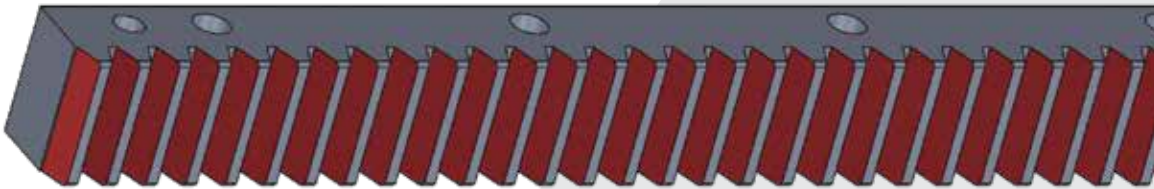
▶ RACK & PINION ALIGNMENT

Rack & Pinion Alignment

For best performance, the rack and pinion must be installed with proper tooth engagement. To check this, we recommend using a red compound and check the gear mesh contact pattern under load conditions.

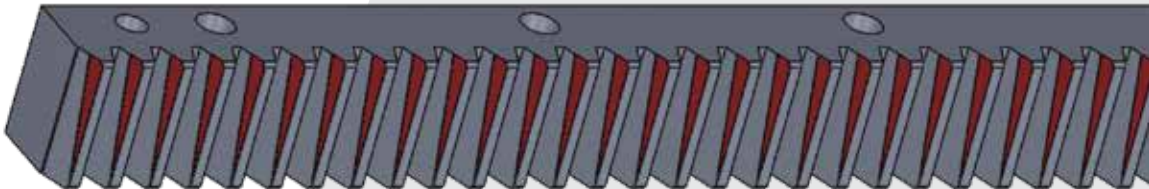
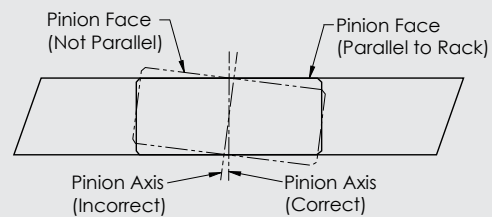
Correct

Contact is even across the face of the tooth



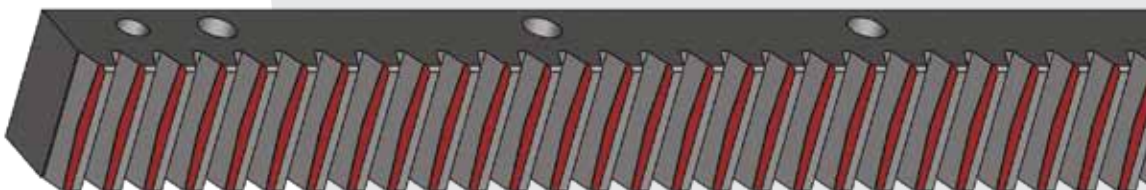
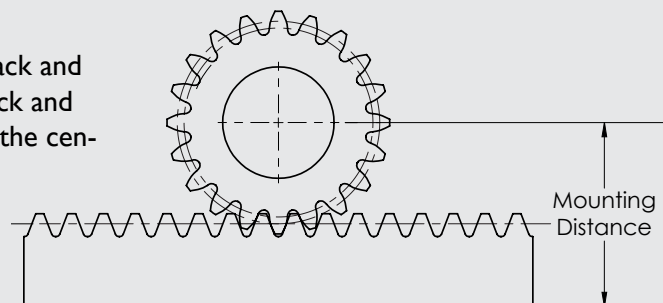
Not Parallel

The pinion and rack are not parallel. Adjust the pinion so the face of the pinion and the side of the rack are parallel. The axis of the pinion should be perpendicular to the rack



Incorrect Mounting Distance

There is insufficient tooth contact between the rack and pinion. Adjust the center distance between the rack and the pinion. The pinion specification tables include the center distance for each size pinion.



▶ PHGH-S PINION (SPLINE)

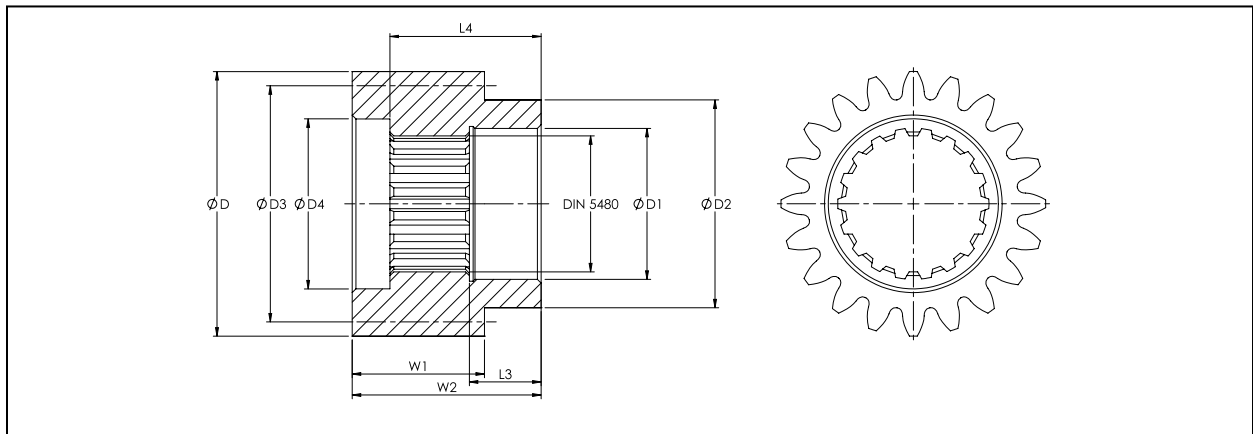


GAM Spline Pinions connect to the output shaft of the gearbox with a spline connection.

Pinion Series	Module (M)	Number of Teeth (z)	Pinion Type	Spline Diameter	Quality
PHGH	- 20	- 18	- S	22	- 06
4140 Steel Helical Teeth Left Hand Helix Ground Induction Hardened	20 = Mod 2 30 = Mod 3 40 = Mod 4		Spline	See Table	ISO 6

Specifications

Type Code	Module (M)	No. of Teeth (z)	Spline Diameter (DIN 5480)	Travel per Rotation (mm)	Max Feed Force (kN)	Mounting Distance (mm)	Use with GAM Gearbox
PHGH-20-15-S16-06	2	15	N16x0.8x18x7H	100.00	11.1	39.10	SPH-S-060
PHGH-20-18-S22-06	2	18	N22x1.25x16x7H	120.00	11.9	42.10	SPH-S-075
PHGH-20-23-S32-06	2	23	N32x1.25x24x7H	153.33	12.9	47.40	SPH-S-100
PHGH-30-20-S40-06	3	20	N40x2x18x7H	200.00	22.2	59.20	SPH-S-140
PHGH-40-20-S55-06	4	20	N55x2x26x7H	266.67	39.1	79.04	SPH-S-180



Dimensions

Type Code	Spline Dia DIN 5480	D (mm)	D1 (mm) F7	D2 (mm)	D3 Pitch (mm)	Dw Working Pitch (mm)	D4 (mm)	W1 (mm)	W2 (mm)	L3 (mm)	L4 (mm)	x Shift Coefficient
PHGH-20-15-S16-06	N16x0.8x18x7H	38.2	16	25	31.831	34.200	20	26	32	11	26.5	0.59
PHGH-20-18-S22-06	N22x1.25x16x7H	44.2	22	30	38.197	40.200	25	26	33	12	27.5	0.50
PHGH-20-23-S32-06	N32x1.25x24x7H	54.8	32	40	48.808	50.800	35	26	34	13	27	0.50
PHGH-30-20-S40-06	N40x2x18x7H	72.4	40	55	63.662	66.400	45	31	51	20	41	0.46
PHGH-40-20-S55-06	N55x2x26x7H	96.08	55	75	84.883	88.080	60	41	54	20	44	0.40

Sold & Serviced By:

 **ELECTROMATE**

Toll Free Phone (877) SERV098
www.electromate.com
sales@electromate.com

▶ PHGH-K PINION (KEYED SHAFT)

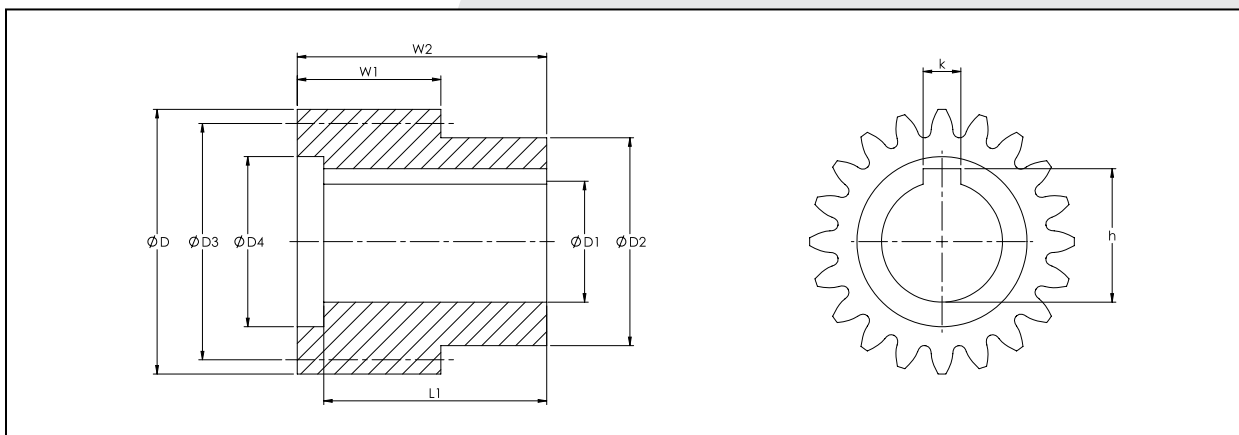


GAM Keyed Pinions connect to the output shaft of the gearbox with a key

Pinion Series	Module	Number of Teeth	Pinion Type	Shaft Diameter	Quality
PHGH	- 20	- 18	- K	16	- 06
4140 Steel Helical Teeth Left Hand Helix Ground Induction Hardened	20 = Mod 2 30 = Mod 3 40 = Mod 4		Keyed Shaft	Diameter (mm)	ISO 6

Specifications

Type Code	Module (M)	No. of Teeth (z)	D1 Shaft Diameter (mm)	Travel per Rotation (mm)	Max Feed Force (kN)	Mounting Distance (mm)	Use with GAM Gearbox
PHGH-20-18-K16-06	2	18	16	120.00	12.88	41.10	EPL-A-070 / EPR-A-070
PHGH-20-20-K22-06	2	20	22	133.33	13.37	43.22	EPL-A-090 / EPR-A-090
PHGH-20-30-K32-06	2	30	32	200.00	15.02	53.83	EPL-A-120 / EPR-A-120
PHGH-30-22-K40-06	3	22	40	220.00	20.05	61.01	EPL-A-155 / EPR-A-155



Dimensions

Type Code	D (mm)	D1 (mm) F7	D2 (mm)	D3 Pitch (mm)	D4 (mm)	W1 (mm)	W2 (mm)	L1 (mm)	k (mm)	h (mm)
PHGH-20-18-K16-06	42.4	16	25	38.20	25	28	34.5	29	5	18.3
PHGH-20-20-K22-06	46.4	22	36	42.44	30	28	42.5	37	6	24.8
PHGH-20-30-K32-06	67.7	32	55	63.66	45	28	66	59	10	35.3
PHGH-30-22-K40-06	76	40	62	70.03	50	28	93	83	12	43.3

▶ PHGH-W PINION (WELDED FLANGE)

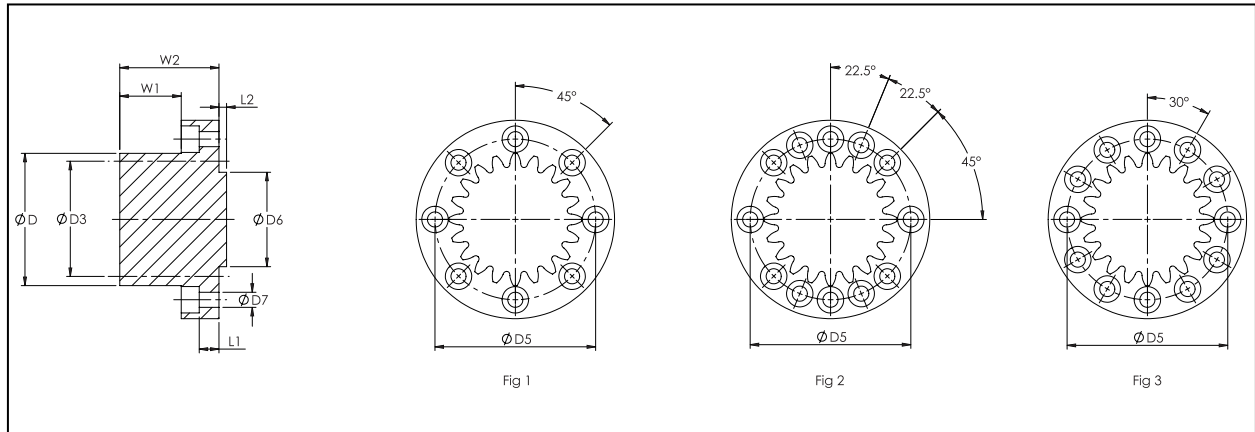


GAM Welded Flange Pinions mount to flange-output gearboxes.

Pinion Series	Module (M)	Number of Teeth (z)	Pinion Type	Flange Bolt Circle	Quality
PHGH	- 20	- 16	- W	50	- 06
4140 Steel Helical Teeth Left Hand Helix Ground Induction Hardened	20 = Mod 2 30 = Mod 3 40 = Mod 4	Per Table	Welded Flange	Diameter (mm)	ISO 6

Specifications

Type Code	Module (M)	No. of Teeth (z)	D5 Bolt Circle ISO 9409 Flange (mm)	Travel per Rotation (mm)	Max Feed Force (kN)	Mounting Distance (mm)	Fig	Use with GAM Gearbox
PHGH-20-16-W50-06	2	16	50	106.67	14.8	38.98	1	SPH-F-075 / DS-F-055 / DS-F-075
PHGH-20-19-W63-06	2	19	63	126.67	15.7	42.16	2	SPH-F-100 / DS-F-090
PHGH-30-16-W80-06	3	16	80	160.00	27.7	51.46	3	SPH-F-140 / EPL-F-140 / DS-F-115
PHGH-30-19-W80-06	3	19	80	190.00	29.5	56.24	3	DS-F-140
PHGH-40-20-W125-06	4	20	125	266.67	55.5	77.44	3	DS-F-190



Dimensions

Type Code	Figure	D (mm)	D3 (mm)	D5 Bolt Circle (mm)	D6 (mm) k6	D7 (mm)	W1 (mm)	W2 (mm)	L1 (mm)	L2 (mm)
PHGH-20-16-W050-06	1	37.95	33.953	50	31.5	6.6	26	41	8.5	5
PHGH-20-19-W063-06	2	44.30	40.319	63	40	6.6	26	41	8.5	5
PHGH-30-16-W080-06	3	56.90	50.930	80	50	9	32.5	52.5	12	5
PHGH-30-19-W080-06	3	66.50	60.479	80	50	9	32.5	52.5	12	5
PHGH-40-10-W125-06	3	92.90	84.883	125	80	11	45	70	15	6

Sold & Serviced By:

 **ELECTROMATE**

Toll Free Phone (877) SERV098
www.electromate.com
sales@electromate.com

▶ PHGH-B PINION (BOLT-THROUGH)

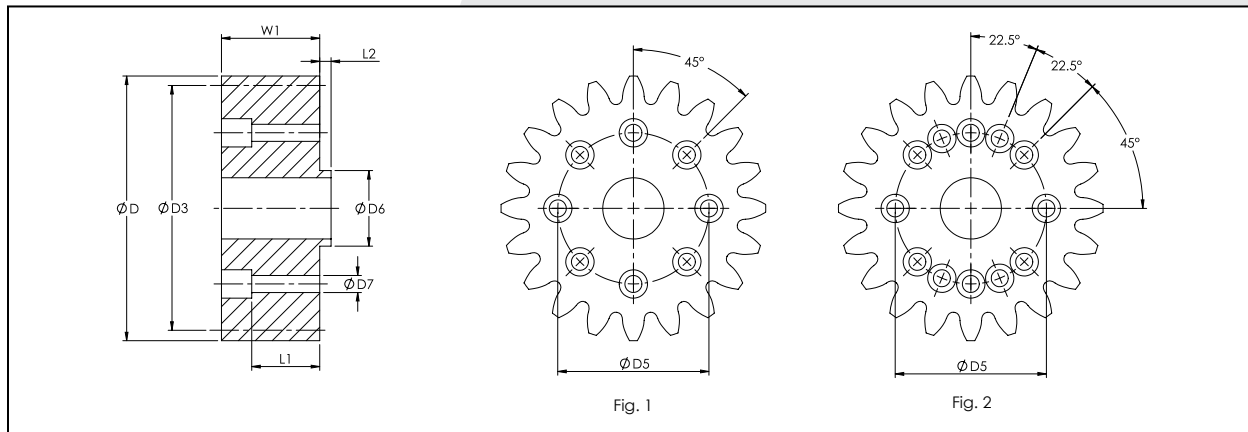


GAM Bolt-Through Pinions mount to flange-output gearboxes.

Pinion Series	Module	Number of Teeth	Pinion Type	Bolt Circle	Quality
PHGH	- 20	- 26	- B	31.5	- 06
4140 Steel Helical Teeth Left Hand Helix Ground Induction Hardened	20 = Mod 2		Bolt-Through	Diameter (mm)	ISO 6

Specifications

Type Code	Module (M)	No. of Teeth (z)	D5 Bolt Circle (ISO 9409 Flange) (mm)	Travel per Rotation (mm)	Max Feed Force (kN)	Mounting Distance (mm)	Figure	Use with GAM Gearbox
PHGH-20-26-B31.5-06	2	26	31.5	173.334	13.4	50.40	1	EPL-F-064 / EPR-F-064 DS-F-055
PHGH-20-33-B50-06	2	33	50	220.000	18.4	57.80	1	EPL-F-090 / EPR-F-090
PHGH-20-40-B63-06	2	40	63	266.667	14.8	65.20	2	EPL-F-110 / EPR-F-110



Dimensions

Type Code	Figure	D (mm)	D3 Pitch Dia (mm)	Dw Working Pitch (mm)	D5 Bolt Circle (mm)	D6 (mm)	D7 (mm)	W1 (mm)	L1 (mm)	L2 (mm)	x Shift Coefficient
PHGH-20-26-B31.5-06	1	60.80	55.174	56.800	31.5	20	5.5	26	14	3	0.4065
PHGH-20-33-B050-06	1	75.60	70.028	71.599	50	31.5	6.6	26	12	3	0.3928
PHGH-20-40-B063-06	2	90.40	84.883	86.400	63	40	6.6	26	12	3	0.3792



▶ PHGH-D PINION (SHAFT)

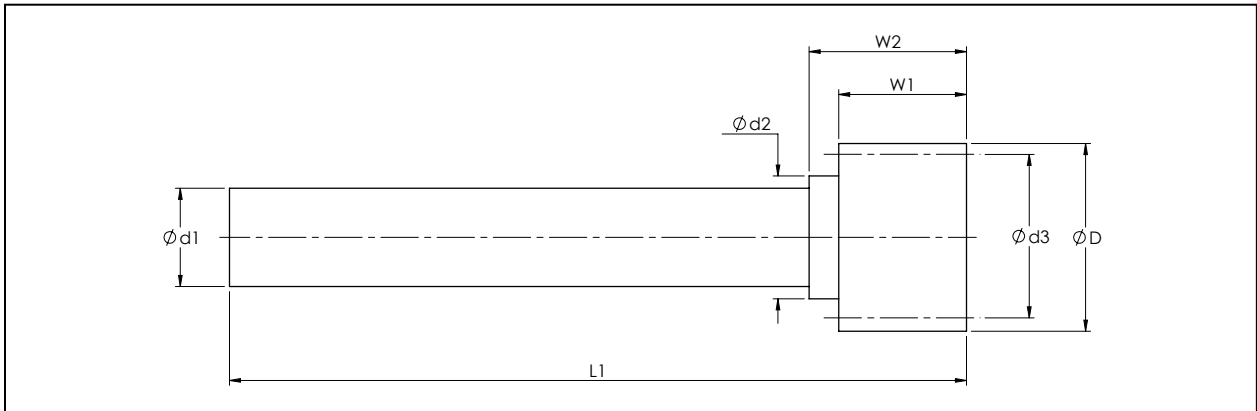


GAM Shaft Pinions mount to hollow output shaft gearboxes

Pinion Series	Module (M)	Number of Teeth (z)	Pinion Type	Shaft Diameter	Quality
PHGH	- 20	- 18	- D	25	- 06
4140 Steel Helical Teeth Left Hand Helix Ground Induction Hardened	20 = Mod 2 30 = Mod 3 40 = Mod 4		Shaft	Diameter (mm)	ISO 6

Specifications

Type Code	Module (M)	No. of Teeth (z)	D1 Shaft Diameter (mm)	Travel per Rotation (mm)	Max Feed Force (kN)	Mounting Distance (mm)	Use with GAM Gearbox
PHGH-20-15-D20-06	2	15	20	100.00	11.1	39.10	DS-H-055
PHGH-20-18-D25-06	2	18	25	120.00	11.9	42.10	DS-H-075
PHGH-20-23-D30-06	2	23	30	153.33	12.9	47.40	DS-H-090
PHGH-30-20-D40-06	3	20	40	200.00	22.2	59.20	DS-H-115
PHGH-40-20-D55-06	4	20	55	266.67	39.1	79.04	DS-H-140
PHGH-40-20-D70-06	4	20	70	266.67	39.1	79.04	DS-H-190



Dimensions

Type Code	D (mm)	D1 (mm) F7	D2 (mm)	D3 Pitch (mm)	Dw Working Pitch (mm)	W1 (mm)	W2 (mm)	L1 (mm)	x Shift Coefficient
PHGH-20-15-D20-06	38.2	20	25	31.83	34.20	26	32	150	0.59
PHGH-20-18-D25-06	44.2	25	30	38.20	40.20	26	33	164	0.50
PHGH-20-23-D30-06	54.8	30	40	48.81	50.80	26	34	189	0.50
PHGH-30-20-D40-06	72.4	40	55	63.66	66.40	31	51	230	0.46
PHGH-40-20-D55-06	96.08	55	75	84.88	88.08	41	54	268	0.40
PHGH-40-20-D70-06	96.08	70	75	84.88	88.08	41	54	325	0.40

Sold & Serviced By:



Toll Free Phone (877) SERV098
www.electromate.com
sales@electromate.com

▶ RACK AND PINION ACCESSORIES

Rack Installation Gauge

These opposite tooth gauges assist with installing rack pieces end-to-end. Select the gauge that matches the module of your rack.



Helical Tooth Installation Gauge

Module	2.0	3.0	4.0
Type Code	GHGH-20-02-Gauge	GHGH-30-02-Gauge	GHGH-40-02-Gauge
Part Number	74030001	74030002	74030003
Helix	Left Hand	Left Hand	Left Hand
Dimensions HxWxL (mm)	24 x 24 x 200	29 x 29 x 200	39 x 39 x 200

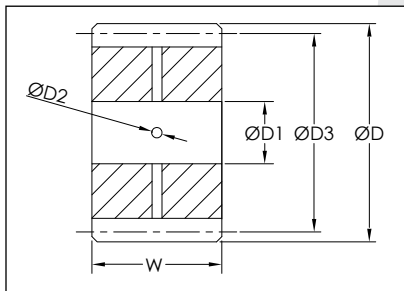
Felt Pinions

Use a felt pinion with your lubrication system to lubricate the rack and pinion. Felt pinions can be mounted to lubricate either the rack or the pinion.



Felt Pinions

Module	2.0		3.0		4.0	
Helix	Left Hand	Right Hand	Left Hand	Right Hand	Left Hand	Right Hand
Mounts to	Rack	Pinion	Rack	Pinion	Rack	Pinion
Type Code	PHFP-20-L	PHFP-20-R	PHFP-30-L	PHFP-30-R	PHFP-40-L	PHFP-40-R
Part Number	74030004	74030005	74030006	74030007	74030008	74030009



Module	Number of Teeth (z)	D (mm)	D1 (mm)	D2 (mm)	D3 Pitch (mm)	W (mm)
2	18	42	12	2	38.2	25
3	18	63	12	3	57.3	30
4	18	84	12	4	76.4	40



▶ RACK & PINION TERMINOLOGY

Module

The module is the relative size of the rack and pinion as described by the pinion. It is the ratio of the diameter of a gear to the number of teeth on the gear. The module and number of teeth give the reference pitch diameter:

$$\text{Module (M)} = \frac{\text{Pitch Diameter}}{\text{Number of Teeth (z)}}$$

$$\text{Reference Pitch Diameter} = \text{Module (M)} \times \text{Number of Teeth (z)}$$

The rack and pinion must have the same module.

ISO Quality Number

The ISO Quality Number describes the accuracy of the gear including the tooth alignment and profile, spacing variation and radial runout among other things. GAM stocks Q6 and Q10 racks along with Q6 pinions.

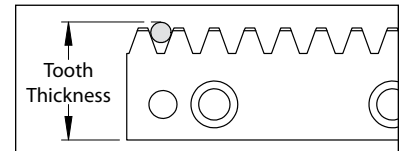
Gear Quality Number

ISO	DIN	AGMA	JIS
6	6	12	2
10	10	8	6

Tooth Thickness Tolerance

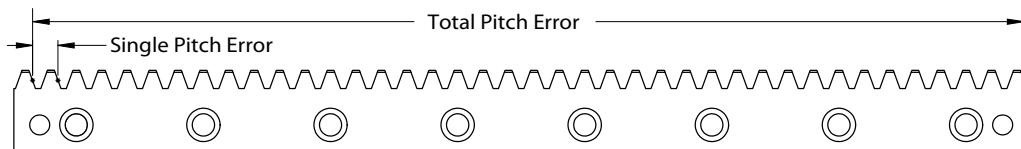
Tooth Thickness Tolerance is the relationship between tooth thickness and a measuring pin measurement.

- The tooth thickness of racks is usually measured via the pin measurement as tooth thickness can not be measured directly.
- A measuring pin is put into the teeth and measured to the back of the rack.



Pitch Error

Pitch: Distance between teeth as measured from a point on one rack tooth to the corresponding point on the next gear tooth.



Single Pitch Error: Error in the pitch between two teeth relative to the ideal.

Total Pitch Error: Cumulative pitch error over the length of the rack.

Tolerance	Module 2.0		Module 3.0		Module 4.0	
	ISO 6	ISO 10	ISO 6	ISO 10	ISO 6	ISO 10
Tooth Thickness Tolerance (µm)	-20	-124	-10	-124	-20	-124
Single Pitch Error (µm)	≤ 8	≤ 37	≤ 9	≤ 39	≤ 10	≤ 43
Total Pitch Error (µm)	≤ 36	≤ 148	≤ 36	≤ 162	≤ 36	≤ 175

Sold & Serviced By:



Toll Free Phone (877) SERV098

www.electromate.com

sales@electromate.com

▶ RACK & PINION TERMINOLOGY



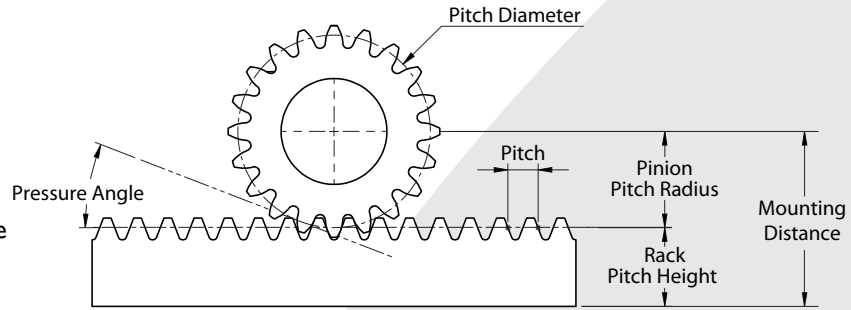
Circular Pitch: The distance from a point on one gear tooth to the corresponding point on the next gear tooth, measured along the pitch circle.

Pitch Circle: A circle transcribing the contact point on the teeth where the rack and pinion mesh correctly

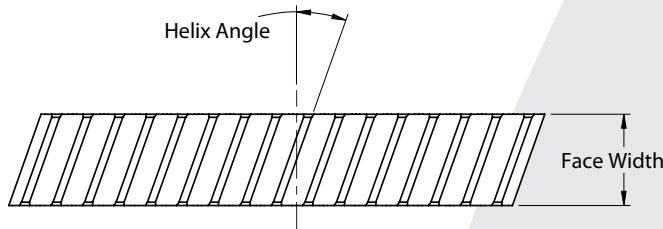
Pitch Diameter: The diameter of the gear's pitch circle.

Pressure Angle: The angle made by the sides of the tooth as it angles towards the top of the tooth. Mating gears and racks must have the same pressure angle.

Mounting Distance: Distance between the center of the pinion and the bottom of the rack that ensures proper mesh. The Mounting distance should stay consistent for the length of the rack.



$$\text{Mounting Distance} = \text{Pitch Height of Rack} + \text{Pitch Radius of Pinion}$$



Helix Angle: Angle of the rack or gear tooth. GAM racks and pinions use a common helix angle of 19°31'42"

Gear Strength & Durability

Gear strength and durability depends on transmitted forces and power.

$$\text{Power (P}_{kW}\text{)} = \text{Force (F}_N\text{)} \times \text{Linear Velocity (V}_{mm/s}\text{)}$$

$$\text{Force (F}_N\text{)} = \frac{1000 \times \text{Torque (T}_{Nm}\text{)}}{\text{Pitch Radius (r}_{mm}\text{)}}$$

$$\text{Linear Velocity (V}_{mm/s}\text{)} = \frac{\pi r_{mm} \times N_{RPM}}{60}$$

$$\text{Power (P}_{kW}\text{)} = \frac{T_{Nm} \times N_{RPM}}{9550}$$

The feed force required by the application should be less than the feed force capacity of the pinion or gearbox-pinion system as listed in this catalog. The feed force rating should be derated by the Overload Factor (K_a) and the Life Factor (K_L)

$$\text{Application Feed Force (F)} < \frac{K_L}{K_a} \times \text{Rated Feed Force (F)}$$

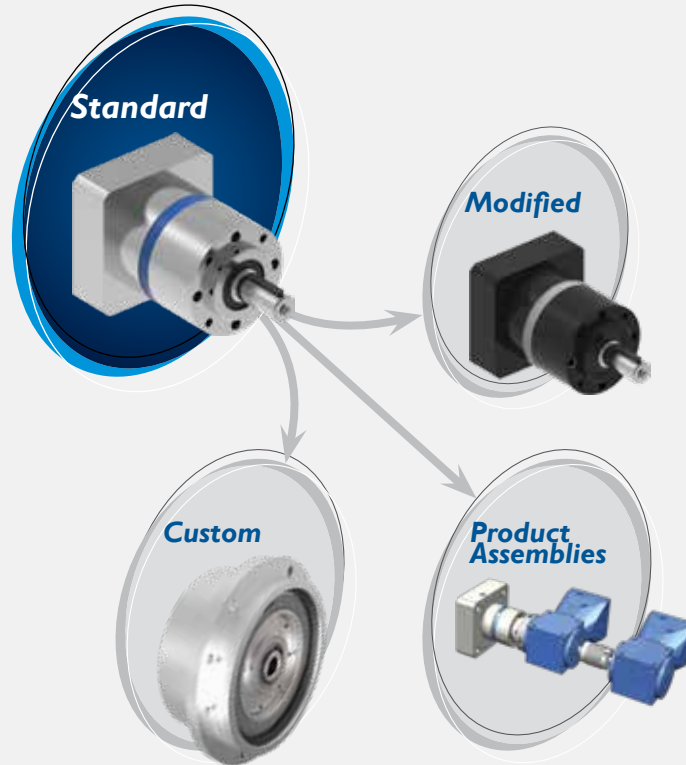
Overload Factor (K_a)

Impact from Prime Mover	Impact from Load Side		
	Uniform Load	Medium Impact	Heavy Impact
Uniform Load	1	1.25	1.75
Light Impact	1.25	1.5	2
Medium Impact	1.5	1.75	2.25

Life Factor (K_L)

Number of Cycles	Hardness (HRC) ≥ 45
Under 10,000	1.5
$\sim 10^5$	1.5
$\sim 10^6$	1.1
$\sim 10^7$	1.0

The GAM Advantage



Find the your exact solution at GAM!

GAM's product range of gear reducers, couplings, and other specialized mechanical drive solutions is one of the largest in the industry. Even with such a wide offering, we realize that you may not find a standard product that meets your exact requirements.

One of our greatest strengths is our ability to modify standard designs, provide completely customized solutions, and integrated product assemblies to meet your specific application requirements. And, because of our flexible manufacturing, we can cost-effectively produce small batches of customized product in short lead-times.

So if you can't find what you are looking for, just ask!



GAM, a U.S. company, is your complete source for Gear Reducers, Servo Couplings, and other precision mechanical drive solutions used in automation technology.

With one of the largest product offerings in the motion control industry as well as the engineering expertise and manufacturing capabilities to develop customized solutions, GAM can help with your application.

U.S. manufacturing, being flexible to meet the needs of customer requests, and great service are what set us apart from the rest.

GAM Can.

Sold & Serviced By:

 **ELECTROMATE**

Toll Free Phone (877) SERV098
www.electromate.com
sales@electromate.com

© Copyright 2019 | GAM



U.S. Company
U.S. Manufacturing

[gam_cat_rp_0219](#)