

# Pocket PLC Controller

RIO-47xxx

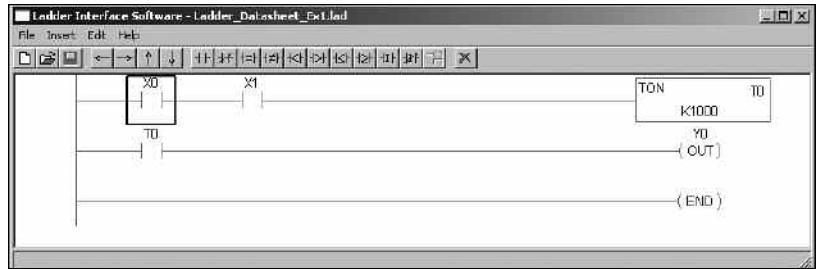
## Ladder Interface Software

Galil's Ladder Interface Software is a software tool for the RIO-47xxx Pocket PLC. The software converts a relay Ladder Logic program into code for input into the RIO controller. Ladder Logic is often used by programmable logic controller (PLC) programmers to graphically input I/O logic. While direct RIO programming using Galil's two-letter text instructions allows for flexible coding, it is sometimes easier to determine the I/O logic visually with Ladder Logic.

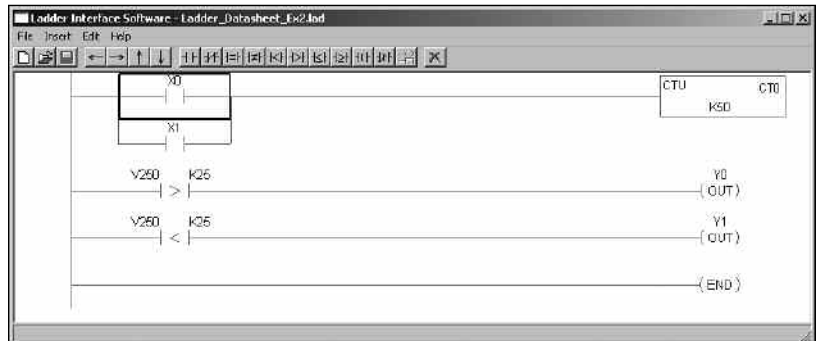
The Ladder Interface Software provides an easy-to-use graphical interface that allows object types for: contacts, coils, control relays, boxes (including timers, counters and data manipulation) and analog I/O. The software generates an RIO program from the specified objects in the flow diagram. In addition to generating optimized code, Galil's Ladder Interface Software automatically adds determinism to the RIO program.

### Features

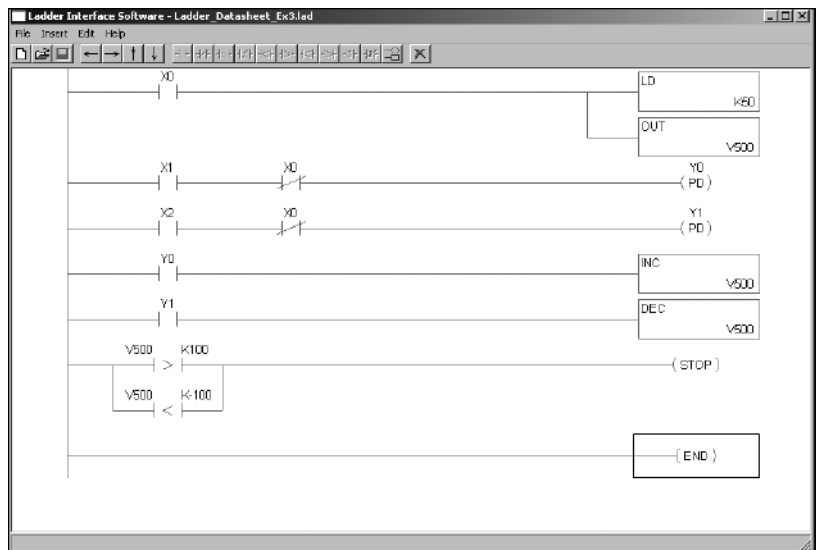
- Object types include:
  - Contacts
  - Coils
  - Control relays (virtual contacts/coils)
  - Boxes (including timers, counters and data manipulation)
  - Analog I/O
- Standard mathematical and logical operators include:
  - Equal, Not Equal, Less than, Greater than
  - AND, OR (normally open or normally closed)
  - Add, Subtract, Multiply, Divide, Increment, Decrement
  - Shift or rotate accumulator left or right
- Galil command box for specifying any valid Galil two-letter command



On-Timer (TON) Ladder Logic Example



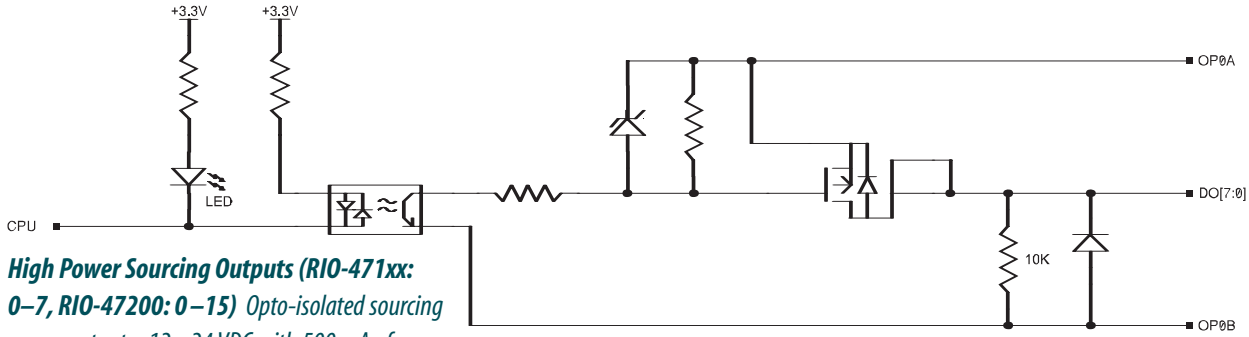
Up-Counter (CTU) and comparative logic example



One-shot output (PD) and variable manipulation example

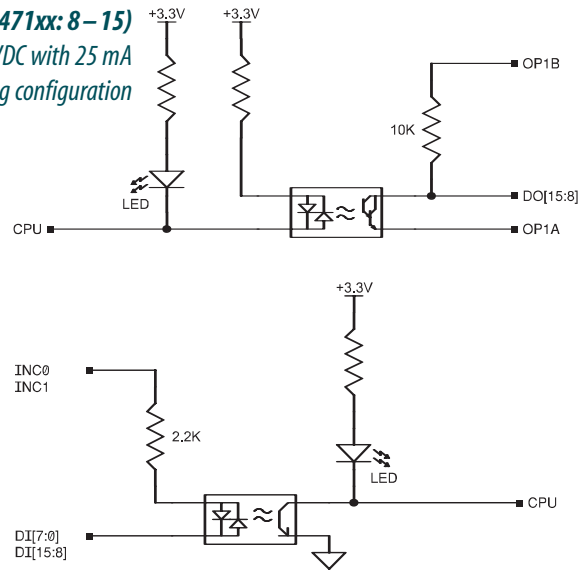
# Pocket PLC Controller

## RIO-47xxx



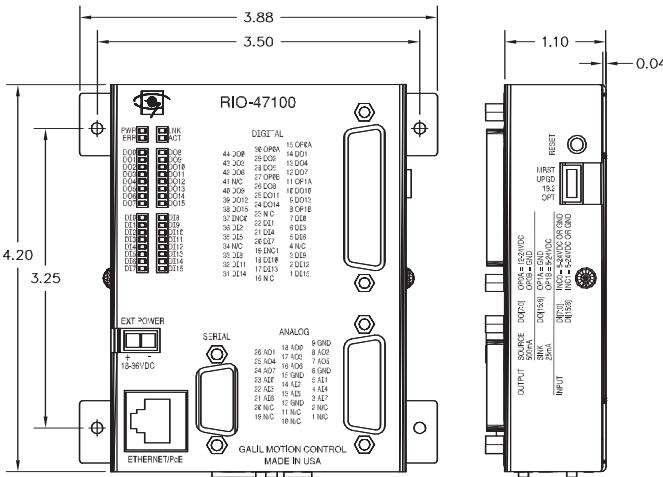
**High Power Sourcing Outputs (RIO-471xx: 0–7, RIO-47200: 0–15)** Opto-isolated sourcing power outputs. 12–24 VDC with 500 mA of current capability per output

**Low Power Sinking Outputs (RIO-471xx: 8–15)** Opto-isolated sinking outputs. 5–24 VDC with 25 mA of current capability in a sinking configuration



**Digital Inputs** Digital inputs 0–15 are opto-isolated inputs with a range of 5–24 VDC

### RIO-471xx



## Ordering Information

PART NUMBER	DESCRIPTION	QUANTITY 1	QUANTITY 100
<b>RIO-47100</b>	PLC with 0–5 V analog I/O; 12-bit ADC/DAC	\$ 295	\$ 195
<b>RIO-47120</b>	PLC with ±10 V analog I/O; 12-bit ADC/DAC	\$ 345	\$ 245
<b>RIO-4712x-16</b>	16-bit ADC/DAC option for RIO-47120 or -47122	add \$ 50	add \$ 50
<b>RIO-47102</b>	RIO-47100 with expanded memory	\$ 345	\$ 245
<b>RIO-47122</b>	RIO-47120 with expanded memory	\$ 395	\$ 295
<b>-DIN</b>	DIN-rail mounting option for RIO-471xx	\$ 25	\$ 25
<b>RIO-47200</b>	RIO with screw terminals and DIN. 12-bit, 0–5 VDC analog inputs. Consult factory for options.	\$ 345	\$ 245
<b>CABLE-44-1M</b>	44-pin D HD male cable to discrete wires	\$ 35	\$ 24
<b>CABLE-26-1M</b>	26-pin D HD male cable to discrete wires	\$ 25	\$ 17
<b>ICS-48026-M</b>	26-pin D HD male to screw terminals	\$ 75	\$ 50
<b>ICS-48044-M</b>	44-pin D HD male to screw terminals	\$ 75	\$ 50
<b>Ladder Interface Software</b>	Converts Relay Ladder logic into deterministic code for RIO	\$ 195	
<b>GalilTools-Lite</b>	Editor, Terminal, Watch Tools. Includes communication library for developers-supports C++, VB, C#, LabVIEW and more	Free download	
<b>GalilTools</b>	Above with Scope and Tuner	\$ 195	

Galil offers additional quantity discounts for purchases between 1 and 100. Consult Galil for a quotation.