

Description

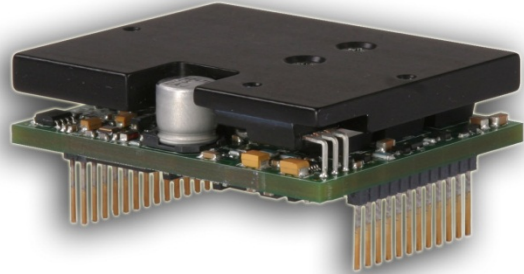
The DZCANTE-012L080 digital servo drive is designed to drive brushed and brushless servomotors from a compact form factor ideal for embedded applications. This fully digital drive operates in torque, velocity, or position mode and employs Space Vector Modulation (SVM), which results in higher bus voltage utilization and reduced heat dissipation compared to traditional PWM. The drive can be configured for a variety of external command signals. Commands can also be configured using the drive's built-in Motion Engine, an internal motion controller used with distributed motion applications. In addition to motor control, this drive features dedicated and programmable digital and analog inputs and outputs to enhance interfacing with external controllers and devices.

The DZCANTE-012L080 features a single RS232 interface used for drive configuration and setup. Drive commissioning is accomplished using DriveWare® 7, available for download at www.a-m-c.com. The CANopen interface can be used for online operation in networked applications.

All drive and motor parameters are stored in non-volatile memory.

Power Range

Peak Current	12 A (8.5 A _{RMS})
Continuous Current	6 A (6 A _{RMS})
Supply Voltage	20 - 80 VDC


Features

- ▲ Four Quadrant Regenerative Operation
- ▲ Space Vector Modulation (SVM) Technology
- ▲ Fully Digital State-of-the-art Design
- ▲ Programmable Gain Settings
- ▲ Fully Configurable Current, Voltage, Velocity and Position Limits
- ▲ PIDF Velocity Loop
- ▲ PID + FF Position Loop
- ▲ Compact Size, High Power Density
- ▲ 12-bit Analog to Digital Hardware
- ▲ On-the-Fly Mode Switching
- ▲ On-the-Fly Gain Set Switching

MODES OF OPERATION

- Profile Current
- Profile Velocity
- Profile Position
- Cyclic Synchronous Current Mode
- Cyclic Synchronous Velocity Mode
- Cyclic Synchronous Position Mode

COMMAND SOURCE

- ±10 V Analog
- PWM and Direction
- Encoder Following
- Over the Network
- Sequencing
- Indexing
- Jogging

FEEDBACK SUPPORTED

- ±10 VDC Position
- Halls
- Incremental Encoder
- Auxiliary Incremental Encoder

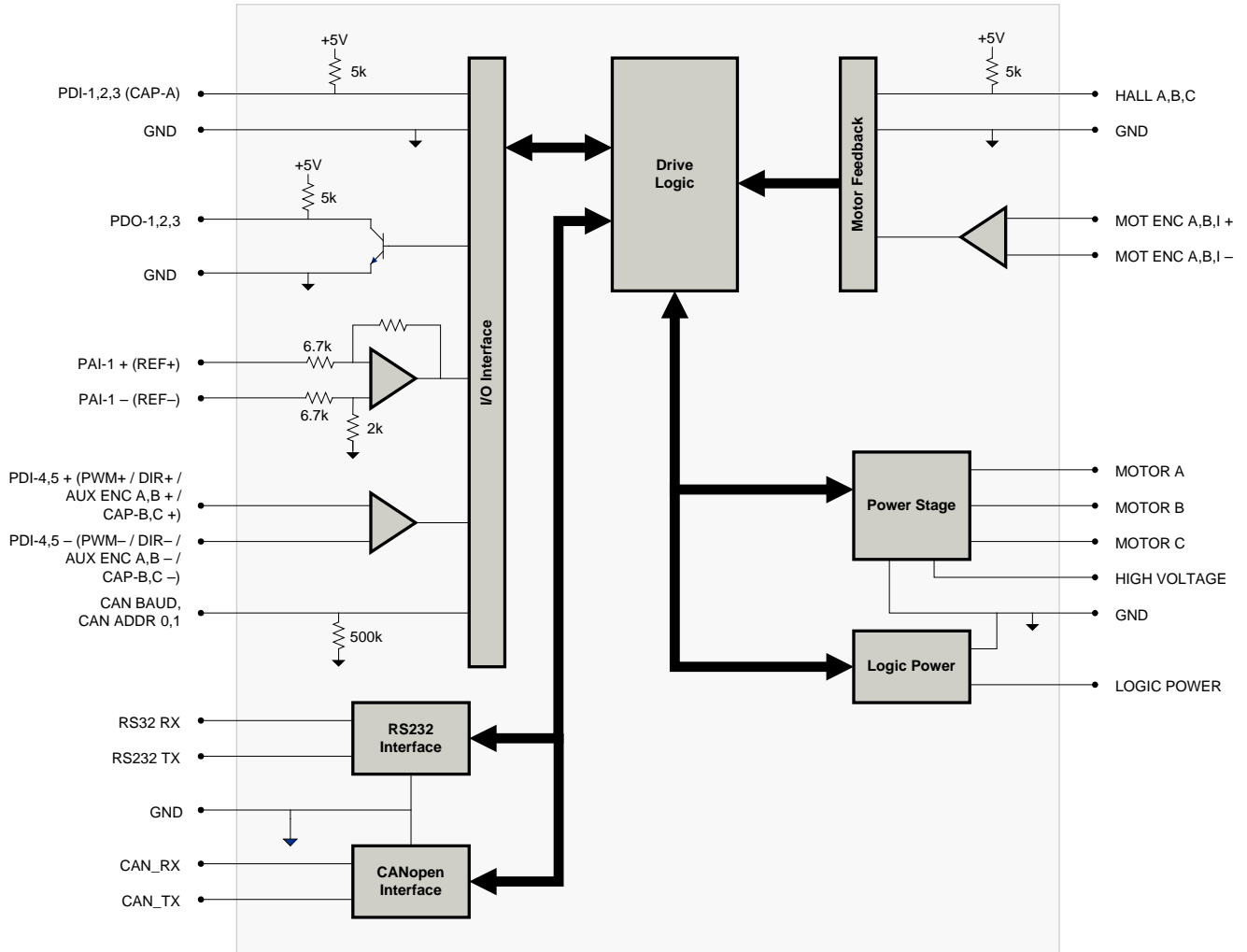
INPUTS/OUTPUTS

- 2 High Speed Captures
- 1 Programmable Analog Input (12-bit Resolution)
- 2 Programmable Digital Inputs (Differential)
- 3 Programmable Digital Inputs (Single-Ended)
- 3 Programmable Digital Outputs (Single-Ended)

COMPLIANCES & AGENCY APPROVALS

- UL
- cUL
- CE Class A (LVD)
- CE Class A (EMC)
- RoHS

BLOCK DIAGRAM



Information on Approvals and Compliances



US and Canadian safety compliance with UL 508c, the industrial standard for power conversion electronics. UL registered under file number E140173. Note that machine components compliant with UL are considered UL registered as opposed to UL listed as would be the case for commercial products.



Compliant with European CE for both the Class A EMC Directive 2004/108/EC on Electromagnetic Compatibility (specifically EN 61000-6-4:2007 and EN 61000-6-2:2005) and LVD requirements of directive 2006/95/EC (specifically EN 60204-1:2006), a low voltage directive to protect users from electrical shock.



RoHS (Reduction of Hazardous Substances) is intended to prevent hazardous substances such as lead from being manufactured in electrical and electronic equipment.

SPECIFICATIONS

Power Specifications			
Description	Units		Value
DC Supply Voltage Range	VDC	20 - 80	
DC Bus Over Voltage Limit	VDC	88	
DC Bus Under Voltage Limit	VDC	17	
Logic Supply Voltage	VDC	5 (+/- 5%)	
Maximum Peak Output Current ¹	A (Arms)	12 (8.5)	
Maximum Continuous Output Current ²	A (Arms)	6 (6)	
Maximum Continuous Output Power	W	456	
Maximum Power Dissipation at Continuous Current	W	24	
Internal Bus Capacitance	µF	33	
Minimum Load Inductance (Line-To-Line) ³	µH	250 (at 80 V supply); 150 (at 48 V supply); 75 (at 24 V supply)	
Switching Frequency	kHz	20	
Maximum Output PWM Duty Cycle	%	85	
Control Specifications			
Description	Units		Value
Communication Interfaces	-	CANopen (RS-232 for configuration)	
Command Sources	-	±10 V Analog, Encoder Following, Over the Network, PWM and Direction, Sequencing, Indexing, Jogging	
Feedback Supported	-	±10 VDC Position, Auxiliary Incremental Encoder, Halls, Incremental Encoder	
Commutation Methods	-	Sinusoidal, Trapezoidal	
Modes of Operation	-	Profile Current, Profile Velocity, Profile Position, Cyclic Synchronous Current Mode, Cyclic Synchronous Velocity Mode, Cyclic Synchronous Position Mode	
Motors Supported	-	Closed Loop Vector, Single Phase (Brushed, Voice Coil, Inductive Load), Three Phase (Brushless)	
Hardware Protection	-	40+ Configurable Functions, Over Current, Over Temperature (Drive & Motor), Over Voltage, Short Circuit (Phase-Phase & Phase-Ground), Under Voltage	
Programmable Digital Inputs/Outputs (PDIs/PDOs)	-	5/3	
Programmable Analog Inputs/Outputs (PAIs/PAOs)	-	1/0	
Primary I/O Logic Level	-	5V TTL	
Current Loop Sample Time	µs	50	
Velocity Loop Sample Time	µs	100	
Position Loop Sample Time	µs	100	
Maximum Encoder Frequency	MHz	20 (5 pre-quadrature)	
Mechanical Specifications			
Description	Units		Value
Agency Approvals	-	CE Class A (EMC), CE Class A (LVD), cUL, RoHS, UL	
Size (H x W x D)	mm (in)	63.5 x 50.8 x 18.4 (2.5 x 2 x 0.7)	
Weight	g (oz)	99.8 (3.5)	
Heatsink (Base) Temperature Range ⁴	°C (°F)	0 - 65 (32 - 149)	
Storage Temperature Range	°C (°F)	-40 - 85 (-40 - 185)	
Cooling System	-	Natural Convection	
Form Factor	-	PCB Mounted	
P1 Connector	-	30-pin, 2.54 mm spaced, dual-row header	
P2 Connector	-	12-pin, 2.54 mm spaced header	

Notes

1. Capable of supplying drive rated peak current for 2 seconds with 10 second foldback to continuous value. Longer times are possible with lower current limits.
2. Continuous A_{rms} value attainable when RMS Charge-Based Limiting is used.
3. Lower inductance is acceptable for bus voltages well below maximum. Use external inductance to meet requirements.
4. Additional cooling and/or heatsink may be required to achieve rated performance.

PIN FUNCTIONS

P1 - Signal Connector				
Pin	Name	Description / Notes	I/O	
1	CAN ADDR 0	CAN Bus Address Selector	I	
2	CAN ADDR 1		I	
3	PAI-1 + (REF+)	Differential Programmable Analog Input or Reference Signal Input (12-bit Resolution)	I	
4	PAI-1 - (REF-)		I	
5	GND	Ground	GND	
6	CAN BAUD	CAN bus bit rate selector.	I	
7	PDO-1	Programmable Digital Output	O	
8	PDO-2	Programmable Digital Output	O	
9	PDO-3	Programmable Digital Output	O	
10	PDI-1	Programmable Digital Input	I	
11	PDI-2	Programmable Digital Input	I	
12	PDI-3 (CAP-A)	Programmable Digital Input or High Speed Capture	I	
13	RS232 RX	Receive Line (RS-232)	I	
14	CAN RX	CAN Receive Line (Requires External Transceiver)	I	
15	RS232 TX	Transmit Line (RS-232)	O	
16	CAN TX	CAN Transmit Line (Requires External Transceiver)	O	
17	PDI-4 + (PWM+ / AUX ENC A+ / CAP-B+)	Programmable Digital Input or PWM or Auxiliary Encoder or High Speed Capture (For Single-Ended Signals see DZ HW Installation Manual)	I	
18	PDI-4 - (PWM- / AUX ENC A- / CAP-B-)		I	
19	PDI-5 + (DIR+ / AUX ENC B+ / CAP-C+)	Programmable Digital Input or Direction or Auxiliary Encoder or High Speed Capture (For Single-Ended Signals see DZ HW Installation Manual)	I	
20	PDI-5 - (DIR- / AUX ENC B- / CAP-C-)		I	
21	GND	Ground	GND	
22	HALL A	Single-ended Commutation Sensor Input (For Differential Inputs See MC1XDZ01 Datasheet For Recommended Signal Conditioning)	I	
23	HALL B		I	
24	HALL C		I	
25	MOT ENC I+	Differential Encoder Index Input (See MC1XDZ01 Datasheet For Recommended Signal Conditioning)	I	
26	MOT ENC I-		I	
27	MOT ENC A+	Differential Encoder A Channel Input (See MC1XDZ01 Datasheet For Recommended Signal Conditioning)	I	
28	MOT ENC A-		I	
29	MOT ENC B+	Differential Encoder B Channel Input (See MC1XDZ01 Datasheet For Recommended Signal Conditioning)	I	
30	MOT ENC B-		I	

P2 - Power Connector				
Pin	Name	Description / Notes	I/O	
1	LOGIC PWR	Logic Supply Input	I	
2	GND	Ground	GND	
3	GND	Ground	GND	
4	HIGH VOLTAGE	DC Power Input	I	
5	HIGH VOLTAGE	DC Power Input	I	
6	RESERVED	Reserved	-	
7	MOTOR C	Motor Phase Outputs. Current output distributed equally across 2 pins per motor phase, 3A continuous current carrying capacity per pin.	O	
8	MOTOR C		O	
9	MOTOR B		O	
10	MOTOR B		O	
11	MOTOR A		O	
12	MOTOR A		O	

Pin Details
CAN ADDR 0 (P1-1)

This pin, CAN ADDR 0, as well as CAN ADDR 1, are used for CAN bus addressing. To set the CAN node address of a drive, use the formula

$$CANAddress = \frac{7 * Addr0}{3} + 8 * \frac{7 * Addr1}{3}$$

where *CANAddress* is the desired node address and *Addr0* and *Addr1* represent the voltage that should be applied to pins CAN ADDR 0 and CAN ADDR 1, respectively. The values for *Addr0* and *Addr1* are always integer multiples of 3/7 V within the range 0-3 V. Examples of the voltages required to set certain node addresses are given in the table below. Note that setting a CAN address of 0 will utilize the address stored in non-volatile memory.

CAN ADDR 0 Value (V)	CAN ADDR 1 Value (V)	CAN ADDR Tolerance (V)	CAN Address (Node #)
0	0	±0.1	Address stored in non-volatile memory
3/7 (0.43)	0	±0.1	1
6/7 (0.86)	0	±0.1	2
9/7 (1.3)	0	±0.1	3
...	...	±0.1	...
18/7 (2.57)	21/7 (3.0)	±0.1	62
21/7 (3.0)	21/7 (3.0)	±0.1	63

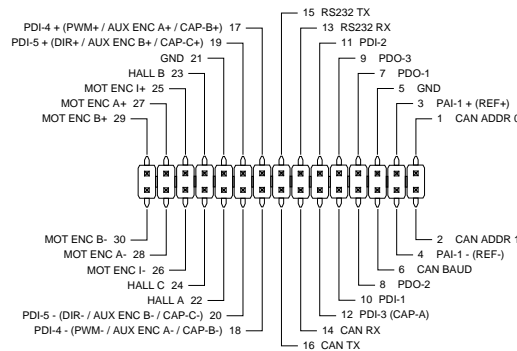
CAN BAUD (P1-6)

The CAN bit rate is set by applying the appropriate voltage to the CAN BAUD pin as given in the table below.

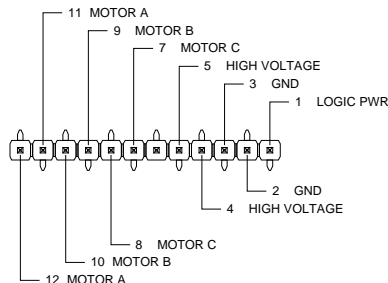
CAN BAUD Value (V)	CAN BAUD Tolerance (V)	CAN Bus Bit Rate (bits/s)
0	±0.388	Bit rate stored in non-volatile memory
1	±0.388	500k
2	±0.388	250k
3	±0.388	125k

MECHANICAL INFORMATION
P1 - Signal Connector

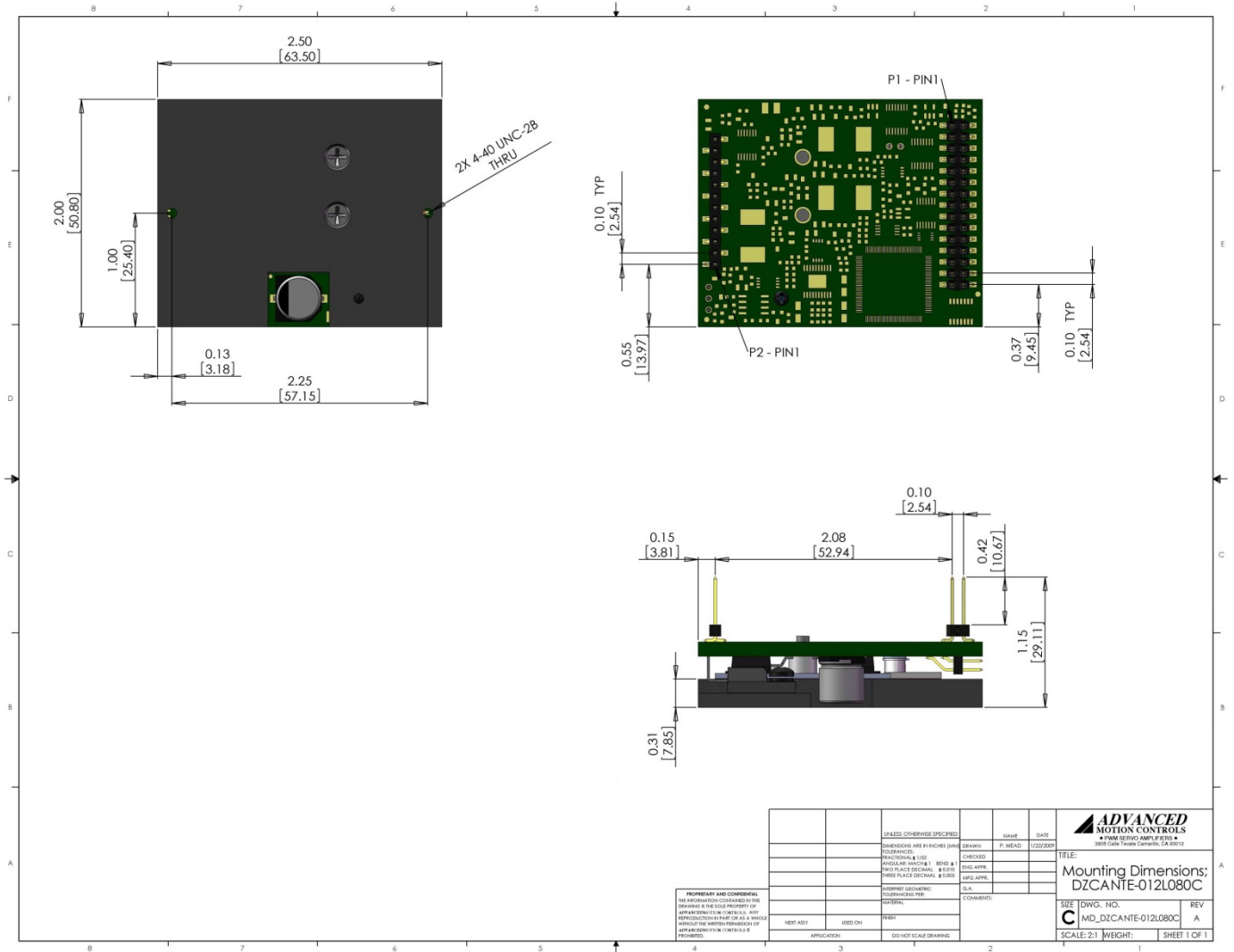
Connector Information	30-pin, 2.54 mm spaced, dual-row header	
Mating Connector	Details	Samtec: SSM-115-L-DV
	Included with Drive	No


P2 - Power Connector

Connector Information	12-pin, 2.54 mm spaced header	
Mating Connector	Details	Samtec: BCS-112-L-S-PE
	Included with Drive	No



MOUNTING DIMENSIONS



PROPRIETARY AND CONFIDENTIAL
THE INFORMATION CONTAINED IN THIS DRAWING IS THE SOLE PROPERTY OF
ADVANCED MOTION CONTROLS. ALL
RIGHTS RESERVED. NO PART OF THIS
DRAWING IS TO BE REPRODUCED OR
TRANSMITTED IN ANY FORM OR BY
ANY MEANS, ELECTRONIC OR
MECHANICAL, INCLUDING PHOTOCOPYING,
RECORDING, OR BY ANY INFORMATION
STORAGE AND RETRIEVAL SYSTEM,
WITHOUT THE WRITTEN PERMISSION OF
ADVANCED MOTION CONTROLS.

UNLESS OTHERWISE SPECIFIED:		NAME	DATE
TOLERANCES	DRAWN	F. MEAD	1/22/2009
FRACTIONAL & 1/16	CHECKED		
DECIMAL FRACTIONS	REV. BY		
THREE PLACE DECIMAL	ENG. APPR.		
THREE PLACE DECIMAL	DATE APPR.		
	DATE APPR.		
	DESIGN	S.A.	
	ASSEMBLY GEOMETRY		
	COORDINATE SYSTEM		
	COMMENTS:		
NOT A31	ISSUED ON		
APPLICATION	DO NOT SCALE DRAWING		

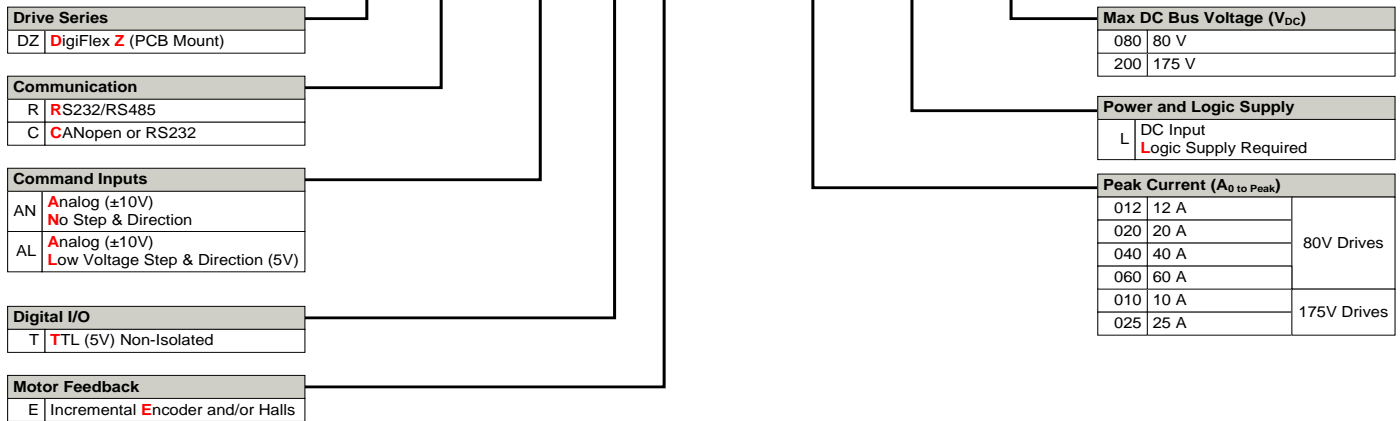
ADVANCED MOTION CONTROLS
 4700 EAST 15TH AVENUE # 200
 DENVER, COLORADO 80231

Mounting Dimensions;
DZCANTE-012L080C

SIZE: C DWG. NO. MD_DZCANTE-012L080C REV. A
 SCALE: 2:1 WEIGHT: SHEET 1 OF 1

PART NUMBERING INFORMATION

Example: **D Z R A L T E - 0 1 2 L 0 8 0**



DigiFlex® Performance™ series of products are available in many configurations. Note that not all possible part number combinations are offered as standard drives. All models listed in the selection tables of the website are readily available, standard product offerings.

ADVANCED Motion Controls also has the capability to promptly develop and deliver specified products for OEMs with volume requests. Our Applications and Engineering Departments will work closely with your design team through all stages of development in order to provide the best servo drive solution for your system. Equipped with on-site manufacturing for quick-turn customs capabilities, ADVANCED Motion Controls utilizes our years of engineering and manufacturing expertise to decrease your costs and time-to-market while increasing system quality and reliability.

Examples of Customized Products

- ▲ Optimized Footprint
- ▲ Private Label Software
- ▲ OEM Specified Connectors
- ▲ No Outer Case
- ▲ Increased Current Resolution
- ▲ Increased Temperature Range
- ▲ Custom Control Interface
- ▲ Integrated System I/O
- ▲ Tailored Project File
- ▲ Silkscreen Branding
- ▲ Optimized Base Plate
- ▲ Increased Current Limits
- ▲ Increased Voltage Range
- ▲ Conformal Coating
- ▲ Multi-Axis Configurations
- ▲ Reduced Profile Size and Weight

Feel free to contact Applications Engineering for further information and details.

Available Accessories

ADVANCED Motion Controls offers a variety of accessories designed to facilitate drive integration into a servo system. Visit www.a-m-c.com to see which accessories will assist with your application design and implementation.

